

Please Note that Bid for Hannig General Trades
will be due June 10th by 11am to Ashley MCCAuley.



ADDENDUM #01

Date: June 2, 2026

Project: Ernie Pyle Early Childhood Center
2001 North Hunt Street
Terre Haute, Indiana 47803

Construction Manager: Hannig Construction, Inc
815 Swan Street
Terre Haute, Indiana 47807

The following items have been addressed in the below narrative as clarifications and/or additional information to the current set of project documents.

General:

1. Bid Information:
 - a. Sealed bids due to the office of Hannig Construction at 815 Swan St, Terre Haute, IN 47807 no later than Thursday June 11th at 2pm, local time. Will be opened with owner and architect.
 - b. Each Bid Package Prime to submit a 5% Bid Bond with their sealed bid.

Specifications:

1. Please see attached revised 01 1200 Multiple Contract Summary

A/E Items:

1. Please reference attached Addendum #1 from Halstead Architects for architectural revisions/updates.
2. Please reference attached Addendum #1 from NEO Engineers for engineering revisions/updates.

The items above are to be incorporated into this project immediately.

END OF ADDENDUM

ALL RECIPIENTS OF THIS ADDENDUM ARE TO CONTACT THE AUTHOR IMMEDIATELY WITH ANY COMMENTS AND/OR QUESTIONS REGARDING ITS CONTENTS.



01 1200 – MULTIPLE CONTRACT SUMMARY

PART 1 GENERAL

1.1 RELATED DOCUMENTS

- A. Drawings and general provisions of the Contract, including General and Supplementary Conditions and other Division 00 and 01 Specifications Sections apply to this Section.

1.2 SUMMARY

- A. Section includes a summary of each contract, including responsibilities for coordination and temporary facilities and controls.
- B. Specific requirements for Work of each contract are also indicated individual Specification Sections and on Drawings.
- C. The narrative description to follow is provided to assist the bidder in determining the various trade contracts/bid packages involved in the project. The term 'Contractor' and 'Prime Contractor' are used interchangeably throughout this document and have the same meaning.
- D. Related Requirements:
 - 1. Section 01 1000 "Summary of Work" for the Work covered by the Contract Documents, restrictions on use of Project site, coordination with occupants, and work restrictions.

1.3 PROVIDED BY CONSTRUCTION MANAGER

- A. General Construction Building Permit
- B. Temporary Toilets
- C. Dumpsters for overall project use
- D. Perimeter Job Site Fencing
- E. Temporary Project Signage

1.4 EXCLUDED BY CONSTRUCTION MANAGER

- A. Onsite Project Offices for Prime Contractors, utility hookups, or use charges
- B. All material deliveries, handling, hoisting, and unloading
- C. Printed copies of plans and specifications
- D. Progress cleaning
- E. Demolition dumpsters
- F. Temporary utilities
- G. All work corresponding with concrete and masonry winter conditions/protection i.e., concrete blankets, masonry tented structures, admixtures, etc.

1.5 COMMON SCOPES OF WORK FOR ALL TRADES

- A. Division 00 and Division 01 requirements are applicable to all Bid Packages. In specific instances, work for installation and maintenance may be required by a specific Bid Package. Details of work are indicated in each specific section.
- B. It is recognized and understood by the Contractor at the time of contract award that Contractor was selected for their expertise and knowledge of this specialized work, and it was and is expected that the Contractor has included in their scope of work all items required to carry out the Contract Document's intent for a complete and functional system. The contract price will not be increased for any miscellaneous or incidental items required for the work to meet the intent of the Architect/Engineer's design, Contract Documents, plans, specifications, and Code requirements.
- C. Certain Specification Sections describe Work to be performed under several Bid Packages. This "Multiple Contract Summary" is to aid each Contractor by defining the Scope of Work to be included in their proposal. However, an omission from this "Multiple Contract Summary" does not relieve the Contractor from including in their proposal that Work which will be required to complete their contract. Each Contractor should read the "Multiple Contract Summary" completely to familiarize themselves with the Work of other Contractors that may have Work in adjacent areas and to coordinate the interfacing problems that may occur as the Work is assembled and constructed. Questions concerning the "Multiple Contract Summary" should be directed to the Construction Manager, who will be the interpreter for this Schedule of Contract Responsibilities and Contract Breakdown, prior to submitting proposals and during construction.
- D. Attendance at progress meetings is mandatory when a trade is mobilized to the site. Failure to attend without prior notification will result in a \$100 deduct Change Order.
- E. The Contractor shall employ a competent Foreman who shall be onsite fulltime during the progression of work. This Foreman shall have full authority to manage project labor, manage equipment deliveries, and maintain the CM's project schedule. The full time Foreman shall be the point of contact for the field operations and shall attend weekly progress meetings.
- F. Prime Contractors are responsible for coordinating their subcontractors. The Construction Manager and the Prime Contractors shall coordinate and schedule the work of the Prime Contracts. The Project Schedule attached to the end of this Specification Section is part of the Contract Documents. Each Prime Contractor will be required to meet durations and dates shown in the schedule.
- G. The construction schedule requires multiple crews to complete work. Contractors must expect an overlap between their work and other trades that will complete work before and after. "Out of Sequence" work shall be expected and considered when submitting bids. Contractors shall include multiple mobilizations and coordinate delivery schedules with the project schedule and construction sequencing. If overtime is required to maintain schedule, Contractor shall include overtime in proposal.

- H. Construction Manager will obtain the overall building permit. Each trade is responsible to include and obtain the permits and coordinate inspections for their own individual scope of work. All work shall be completed in accordance with applicable local, state, and federal codes, rules, and regulations. Contractors are required to notify CM prior to and after all inspections.
- I. Each trade is responsible to include and obtain the permits and coordinate inspections for their scope of work. All work shall be completed in accordance with applicable local, state, and federal Codes. Contractors are required to notify CM prior to and provide records of all inspections within twenty-four (24) hours of the inspection.
- J. Each trade is responsible for all layout and applicable engineering required to complete all work of their bid package to exact dimensions and locations including verification of preceding work performed by other trades. Immediately report all discrepancies to CM.
- K. All additional work must be approved in writing by the CM Project Manager.
- L. No additional work will be considered for approval without written and signed Construction Daily Extra Work Authorization sheets, detailing the scope of work and the materials, labor, and equipment used. Hannig's field superintendent must sign these forms daily. Signed, completed sheets, including costs, must be submitted to the CM Project Manager on a weekly basis.
- M. Items of work may be shown on drawings and/or listed in the specifications of the Contract Documents. If any item of work is shown on either the drawings or specification but not the other, it is included in the contract and the better quality or greater quantity of work shall be provided in accordance with the architect/engineer's instructions. No change order or extra to the contract will be allowed for any inconsistency when any item of work either is shown on the drawings/specifications regardless of the location in the drawings/specifications.
- N. Each Contractor is responsible to receive, unload, store, handle, protect, and install all items respective to their responsibilities.
- O. Contractor shall include all necessary protection of their work.
- P. Contractors shall protect all other trades work in place and properly staged materials from damage of any kind. Any cleaning or repair costs will be the responsibility of the Contractor responsible for the damage.
- Q. Contractors must make space allowances for Work of other Contractors and provide necessary openings where indicated or implied.
- R. Contractors are responsible for the removal or demolition and replacement/rerouting of existing items and systems required to perform their Scope of Work regardless of specific inclusion in the Contract Documents.
- S. Review finish schedule and locate all exposed concrete floor finishes. Contractors must protect these areas from stains and other damage while performing their

work. Unprotected exposed floors shall be cleaned or repaired, as necessary, by the responsible Contractor. All equipment placed or utilized on finished floors must have protective diapers, wheel covers, or floor protection in place.

- T. Contractors must coordinate a meeting with the onsite superintendent to inspect all surfaces to receive finishes, prior to commencement of work. Report in writing to the onsite superintendent, any condition that may potentially affect proper application. Do not commence until such defects have been corrected. Commencement of work shall be construed as acceptance of the surfaces and the Contractor shall be fully responsible for the satisfactory work as required herein.
- U. All Contractors shall comply with the Storm Water Pollution Prevention Plan (SWPPP). Soil Erosion Control will be installed by specific Bid Package (refer to the bid package scopes of work). Any Contractor that damages or removes silt fence or any type of erosion control measure, for any reason including to perform work, is responsible to replace or repair it the same business day that it was damaged. Failure to do so same day will result in the immediate completion of this work by others, as directed by the CM, and all associated costs will be back charged to the removing Contractor.
- V. Contractors shall keep all excavations free of standing water. Each Prime Contractor shall be responsible for pumping water or otherwise removing water from an excavation or low area created because of their work. Each Contractor is responsible for any containment measures necessary to prevent the run-off of surface water into excavations and the bonding of water on-site. Any damage or additional cost incurred as the result of standing water or its penetration of the soils shall be borne, by the Prime Contractor allowing/creating the situation where water accumulated.
- W. All roads and traffic routes shall be clean, free of mud and debris at all times. All Contractors are responsible for cleaning the streets of all mud and debris generated from their operations. Contractors violating this requirement are subject to back charges.
- X. Provide temporary power and additional lighting as necessary for proper installation during the preparation and installation of work.
- Y. Provide proof of identification of existing utilities (public or private) to CM prior to start of underground and saw cutting.
- Z. Saw cutting and grinding shall be accomplished using either vacuum-assisted or with wet methods to conform to OSHA requirements.
- AA. Each Contractor shall provide access panels for their scope of work.
- BB. Provide expansion joints at all typically required locations, even if not shown on plans or specifications.
- CC. Provide expansion compensation in all pipelines, conduit, ducts, etc., crossing building expansion joints at building column lines.

- DD. All penetrations in rated partitions shall be sealed or fire safe in accordance with the Contract Documents by the Contractor making the penetration.
- EE. Clean up, removal, and disposal from site dumpster of all debris, including sweeping of the work areas, shall be performed on a daily basis. All packing and shipping crates and boxes will be removed offsite within 48 hours. Dumpster area shall be clean and free of any debris, it is the responsibility of all contractors to maintain the dumpster area.
- FF. All contractors shall be responsible for field verification of materials and equipment installed in the Work of other Contractors.
- GG. Certain Specification Sections describe Work to be performed under several contract areas. (Example: 07 9200 Joint Sealants) Provide Work of this nature as required for each contract area whether or not enumerated in the Schedule of Contract Responsibilities. The Contractor for each Bid Package shall be responsible for proper installation of sealant around and within his work. The Contractor who defines the joint (last Contractor there usually) shall be responsible for sealing the joint, if the Architect required sealant to be installed after finish work is in-place, then the finish Contractor shall seal the joint. All joints at dissimilar material intersections shall be caulked.
- HH. All Contractors are required to warranty their work for twelve (12) months from the date of Substantial Completion.
- II. Contractors shall submit their proposals based on the Work included under each Bid Package as listed herein. Include Work necessary for a complete project, as shown on the Drawings, called for in the Specifications, and to complete the design intent (even if not explicitly called out for in project documents).
- JJ. The drawings are diagrammatic and may not be complete in every detail. The documents reflect the intent of the Architect/Engineer to provide for a complete working system in compliance with applicable codes. Contractors shall include any other equipment or devices necessary to provide a complete, functioning system. Contractors shall include, as part of their work, the cost of re-routing, etc., due to the coordination procedure as part of their contract price.
- KK. This project is Sales Tax Exempt therefore do not include pricing for Indiana Sales Tax on any items that are a permanent component of this work. Contractor will not be reimbursed by the job if charged sales tax by a vendor.

1.6 SPECIFIC SCOPES OF WORK FOR BID PACKAGES

- A. The following bid packages are broken down by Specification Section conforming to the CSI format. Each bid package also contains a statement of intent for a general description of the work included. The Contractor is responsible for work assigned and described as part of their contract category without regard for where it is indicated in the Contract Documents.
- B. The Drawings and Specifications as furnished for each of the Contracts is for the convenience of the Contractor in preparing a proposal for this Project. However, each

Contractor is responsible to review the complete set of Drawings and Specifications to assure that Work required to be installed to complete their phase of the Work is included in their proposal. This “Multiple Contract Summary” is a definition of the work as it is to be bid in separate contracts. Where a specific item of Work is not defined, but is normally inherent to a trade, or is included in the scope of the applicable technical section, it will be the responsibility of that Contractor to include the Work in his proposal.

PART 2 – PRODUCTS (Not Used)

PART 3 – EXECUTION

3.1 GENERAL INFORMATION FOR BID PACKAGES

- A. Individual Bid Package Scopes of Work descriptions are attached. Specification Section 01 1200 applies to every Bid Package.
- B. This Bid Package Scope of Work describes and assigns Work to this Bid Package as designated by the Construction Manager. Each Contractor shall cooperate and coordinate with all other Bid Package Contractors for proper and expedient completion of the Work in this Project. This summary should in no way be construed as being all inclusive. It is issued as a guide to aid in the assignment of Work and is intended to clarify and/or further define the Scope of Work included in the Bid Documents. They shall not be construed as the entire Scope of Work for this Bid Package. All work described or indicated in the respective Specifications Sections or Divisions listed above shall be included, except as specifically excluded herein.
- C. List of Packages for this Project with Scope of Work as described above:

1. BP NO. 1 GENERAL TRADES

a.	02 4000	Demolition
b.	03 0130	Concrete Repair
c.	03 3000	Cast-in-Place Concrete
d.	04 0511	Masonry Mortaring and Grouting
e.	04 2000	Unit Masonry
f.	05 1200	Structural Steel Framing
g.	05 4000	Cold Formed Metal Framing
h.	05 5000	Metal Fabrications
i.	06 1000	Rough Carpentry
j.	06 1500	Plywood Decking
k.	06 2000	Finish Carpentry
l.	07 2100	Thermal Insulation
m.	07 8400	Firestopping
n.	07 9200	Joint Sealants
o.	08 1116	Aluminum Doors & Frames
p.	08 1213	Metal Door Frames
q.	08 1416	Flush Wood Doors
r.	08 4313	Aluminum Framed Storefronts
s.	08 7100	Door Hardware
t.	08 8100	Glazing
u.	09 2116	Gypsum Board Assemblies
v.	09 3000	Tile
w.	09 5100	Acoustic Ceilings
x.	09 6500	Resilient Flooring

y.	09 6813	Carpet Tile
z.	09 7200	Wallcovering
aa.	09 8433	Sound Absorbing Panels
bb.	09 9100	Painting and Finishing
cc.	10 1000	Miscellaneous Specialties
dd.	10 1400	Signage
ee.	10 2123	Phenolic Toilet Compartments
ff.	10 2800	Toilet & Bath Accessories
gg.	10 4400	Fire Protection Specialties
hh.	10 5617	Wall Mounted Standards & Shelving
ii.	12 2113	Horizontal Louver Blinds
jj.	12 3216	Plastic Laminate-Clad Casework
kk.	12 3600	Countertops
ll.	31 1000	Site Clearing
mm.	31 2300	Earthwork
nn.	32 1300	Concrete Paving
oo.	32 3000	Site Improvements
pp.	32 9000	Planting
qq.	32 9200	Turf and Grasses

- General Items:

- Provide the final clean for the entire project. This shall include all sweeping, vacuuming, dusting, waxing of floors, glass cleaning (inside and outside), cleaning of all plumbing fixtures, toilets including all accessories, contractor provided furniture, inside and outside of cabinets, walls, moldings, etc. For a complete clean of the entire project.
- Provide progress cleanings throughout the duration of the project.
- Provide temporary dust, weather, and partitions required for demolition, construction, and phasing of work activities, as determined by the CM and owner.
- Coordinate penetrations in drywall with appropriate trades.
- Contractor will not be allowed to clean tools and equipment in permanent plumbing fixtures.
- Remobilizations will be expected at no additional cost to the owner.
- Include costs of any required and/or needed delegated design.
- Any layout required for this bid package shall be included in bid.
- Provide demolition dumpsters for all trades/bid packages.

- Sitework

- Provide and install decorative fencing as shown on site plan including all posts, foundations, gates, hardware, locking mechanisms, etc.
- Install wood egress landings and stairs as shown on site plan including excavations, foundations, railings, stringers, treads, risers, etc. Coordinate with building floor height and existing grade and adjust as required for a complete code compliant install.
- Final seeding and mulching as necessary shall be responsibility of this bid package.

- Division 2 Demolition

- Selective demolition of existing interior and exterior partitions, doors, windows, finishes, per construction documents. This scope excludes demo of plumbing, mechanical, and fire protection equipment, devices, and piping.

- Repair adjacent or exposed surfaces which become damaged as a result of demolition activities or require rework to transition to new construction.
 - All removals required for new work shall be included even if not indicated on the demolition drawings.
 - All demolished materials shall be removed to a dumpster, provided by this contractor. CM will provide the overall project dumpsters, not demolition dumpsters.
 - This contractor is responsible for ensuring that the building is weather tight and secure during and after demolition.
- Division 3 Concrete
- Provide and install all the concrete required for the project. This shall include all labor, materials, equipment, and supervision necessary to install a complete concrete package inclusive of building and site concrete. This work shall include, but not limited to the following:
 - Provide all surveying and layout required to complete the work of this category. This includes the establishment of a benchmark, control on site, and confirming all transition layout points are accurate, prior to placing work.
 - Form, place, and finish all concrete footings, foundation walls, plumbing trenches, stoop turn downs, frost walls, column pads, retaining walls, piers, slabs, and sidewalks. Scope of work includes all reinforcing steel, insulation, vapor barriers, expansion joint material, bond breaker materials, control joints, as indicated or required, for all concrete work.
 - Assure curing method selected is compatible with floor finishes specified and provide complete coordination with all floor finishes. FF/FL testing within 24 hours after finishing is to be provided by this contractor.
 - All under slab vapor barrier shall be included.
 - Installation of all embedded plates, angles, and other misc. steel shall be included.
 - Provide positive drainage on all floors with floor drains and provide slope from room perimeter where indicated. Coordinate with flooring trades and plumbing contractor.
 - Finish all concrete slabs to the specified finish standards. This shall include meeting all levelness and flatness criteria and installing required sealers.
 - All exposed concrete shall be rub finished.
 - Grouting of all base plates after steel erection shall be included.
 - Concrete wash out area will be created and maintained by this contractor.
 - Provide all sealed concrete.
- Division 4 Masonry
- Include any and all masonry demolition required for final design.
 - Installation of any new masonry to complete architectural intent including any lintels.
 - Store masonry units and cementitious materials on elevated platforms in a dry location, covering tops and sides of stacks with waterproof sheeting, securely tied.
 - Store aggregates where grading and other required characteristics can be maintained and contamination avoided.

- During construction, cover tops of walls, projections, and sills with waterproof sheeting as necessary. Cover partially completed masonry when construction is not in progress.
- Provide and install all fasteners, sealants, etc. as specified in the project documents.

- Division 5 Metals
 - The contractor agrees to furnish all scaffolding, associated rigging, hoisting (crane), unloading, handling, unpacking, and services necessary for erection and delivery into the premises of all necessary equipment and apparatus. The contractor agrees to remove it from premises when no longer required.
 - Provide all necessary fasteners, clips, insert embeds, templated, accessories, hanger rods, pre-punched holes, etc. required for installation of structural steel as required.
 - Contractor will furnish all embeds for cast in place concrete anchor bolts for structural steel and special metal fabrications that are required or shown. All embeds will have holes drilled for attachment to formwork.
 - Furnish and install structural steel including but not limited to columns, tube steel, lintels, angles, etc. as specified in the project documents.
 - Furnish all cold form steel studs and misc. steel lintels, etc. as required including costs associated with delegated design.
 - Provide and install guardrails/handrails as shown in project documentation, including all fasteners, connections, shop drawings, etc.

- Division 6 Wood, Plastics, and Composites
 - Contractor shall provide and install all blocking, bracing and/or backing required to adequately support all wall hung fixtures and equipment (cabinets, casework, furniture, toilet accessories, tack boards, handrails, fire extinguisher cabinets, electronic devices, etc.) specified on the contract documents. Coordinate blocking and backing work with all other contractors.
 - Contractor shall provide and install all blocking at openings and roof perimeter.
 - Contractor shall provide and install all sheathing.
 - Provide wood blocking within cold-formed steel assemblies or partitions as indicated or required, for anchorage of the partition, equipment, accessories, etc.
 - Install all finish carpentry items including wall caps, door trims, casework/millwork etc.

- Division 7 Thermal Insulation
 - Provide all insulation as noted on the construction documents, which is included within any framing assembly. This includes fire safing, mineral wool, thermal and/or sound insulation at termination of a partition to overhead or adjacent assemblies.
 - Contractor shall provide all acoustical sealants, joint sealants, top/bottom of wall sealants, firestopping, etc. as required.
 - Install all expansion joints at required locations for proper installation of all items, even if not listed on plans.

- Division 8 Openings
 - o Provide and install all hollow metal doors and frames including all anchors, hardware, and accessories.
 - o Provide and install all doors complete where indicated including all glazing, hardware, and accessories.
 - o Provide all required door hardware for a complete and a proper functioning system. CO will not be issued for any hardware items not included for a complete system, even if not listed in hardware specifications.
 - o Include delivery, inspection, and offloading of all material.
 - o This contractor shall remove all dirt, grease, stickers, glue, and markings when directed by the CM prior to turnover.
 - o Provide temporary protection of entire assembly as required.
 - o Provide and install all Aluminum Framed Entrances and Storefronts. All labor, material, equipment, supervision, and services required to provide complete and operational units is included in this scope of work.
 - o Provide and install glazing as shown with project documents.
 - o Provide all necessary accessory pieces to include a complete and professional install of all frames, doors, and windows including backer rod, sealant, shims, etc.

- Division 9 Finishes
 - o Floor shall be scrapped clean of drywall mud daily.
 - o Clean and prep of all floors and walls to receive new finishes.
 - o Paint backsides of access panels, removeable and hinged covers to match exposed surfaces.
 - o Contractor shall be responsible for painting mechanical and electrical work exposed to view in interior occupied spaces and exterior walls and roof.
 - o Provide all labor, materials, equipment, supervision and services required to provide a complete and successful installation of all drywall finishing, painting, staining, and wall coverings per the project documents including all accessory pieces required for complete install even if not specified.
 - o All drywall is to be finished to the floor to allow for the proper installation of base.
 - o Provide and install fluid applied flooring floor as specified, include all prep work to subfloor for a clean and smooth finish.
 - o Coordinate with Electrical, Plumbing, Mechanical, and Fire Protection Bid Packages, the location of, the suspension reinforcement for, associated ducting, fixtures and/or mechanical grilles, etc. to coordinate with the ceiling suspension pattern. Provide additional ceiling supports and cut outs where necessary to support light fixtures, speakers, and other ceiling mounted equipment.
 - o Contractor shall cut and install all ceiling tile required, except for the fire sprinkler tile.
 - o Provide and install all soundproofing panels, ceilings tiles, ceiling grids gypsum board assemblies, etc. as specified in the project documents. Include all accessory pieces for a complete installation.
 - o Provide and install all carpeting, resilient flooring, wall base, tiling, Schluter pieces, transitions, etc. All labor, material, equipment, supervision, and services required to provide a complete and successful installation of all components.

- Provide temporary protection for flooring as necessary and directed by the CM. This is to include ram board down all corridors within scope and a path to each doorway within classrooms. Include taping of all seams and perimeters.
- Division 10 Specialties
 - Provide and install all miscellaneous specialties listed per drawings and specification, unless indicated to be "by owner". Scope of work to include all fasteners, adhesives, etc. which are required to provide a complete installation.
 - Provide and install all signage per project documents, unless indicated to be "by owner". Coordinate with electrical contractor for any item requiring power.
 - Coordinate wall mounted locations for all required blocking. Blocking to be installed by this contractor for all owner furnished items.
- Division 12 Furnishings
 - Provide all manufactured laminate casework, solid surface materials, sills, backsplashes, countertops, closet and utility shelving as indicated and required including shims, mounting hardware, counter support brackets, and accessories. Protect all casework and countertops, using cardboard protections after installation and remove protections at project completion.
 - Grommets in countertops to be located in the field and installed by this contractor.
 - Provide and install all window coverings as directed in project documents including all accessory pieces, blocking, electrical, etc. Coordinate with electricians if required.

2. **BP NO. 2 ROOFING**

- a. 07 5400 Thermoplastic Membrane Roofing
- b. 07 6200 Sheet Metal Flashing and Trim
- c. 07 7200 Roof Accessories
- d. 07 8400 Firestopping
- e. 07 9200 Joint Sealants

- General Items
 - Provide all joint sealants and expansion joints as it relates to roofing. These sealants should be utilized to ensure water tightness and included as part of the overall roofing system.
 - Flashing of all penetrations and curbs shall be included in this scope. Including patching of any area that has had equipment removed.
 - Include curbs required for specialties.
 - Coordinate with mechanical/plumbing and electrical bid packages for roof installation around roof top units and penetrations.
 - Provide all labor, material, and equipment necessary for complete and proper installation of roofing, flashing, siding, sheet metal, soffits, trim, etc.

3. BP NO. 3 FIRE PROTECTION

a.	07 8400	Firestopping (Fire Protection)
b.	21 05 01	General Provisions
c.	21 05 02	Assignment of Miscellaneous Work
d.	21 05 03	Completion and Startup
e.	21 05 05	Concrete Pads
f.	21 05 19	Meters and Gauges
g.	21 05 29	Basic Piping Requirements
h.	21 05 40	Trenching, Backfilling and Compacting (Exterior)
i.	21 05 41	Trenching, Backfilling and Compacting (Interior)
j.	21 05 50	Noise Control
k.	21 05 53	Identification of Piping and Equipment
l.	21 05 64	Painting
m.	21 11 00	Fire Service/Water Supply
n.	21 11 19	Piping Specialties
o.	21 13 13	Wet Pipe Sprinkler System
p.	21 31 13	Fire Pump

- General Items

- All demolition, rerouting, and temporary work relating to fire protection equipment is associated with this scope. All removals required for new work shall be included whether or not indicated on the demolition drawings.
- Existing Utility Interruptions: Do not interrupt utilities serving facilities occupied by Owner or others unless permitted under the following conditions and then only after arranging to provide temporary utility services according to requirements indicated:
 - Notify CM no less than seven calendar days in advance of proposed utility interruptions.
 - Do not proceed with utility interruptions without CM's written permission.
 - Temporary service for Mechanical, Plumbing, Electrical, Fire Protection, etc. (i.e. All required facility utilities needed for operation), must be in place and activated, prior to the shutdown of any utility, area, or service.
- Cutting of ceiling tile/panels shall be included. Ceiling tile/panels shall be furnished by others.
- Provide flow test and reports.
- Include a pump and/or any other equipment pieces necessary for a complete and functioning fire suppression system.
- Provide firestopping of sprinkler piping penetrations in rated walls.
- Through wall pipe penetrations through secure walls will require coordination with the installing contractor.
- Provide all access doors and panels to access concealed items where not shown on Drawings but required by Code. Include all costs for installation by other Bid Package Contractors.
- A complete as-built drawing of the Fire Protection system shall be maintained throughout the installation of work and turned over at the end of the project.
- Variations of pipe routing to accommodate building conditions and/or other trades may exist. An above ceiling coordination meeting incorporating all trades with work in the space will be required prior to rough-in.

- Contractor is responsible for paying all fees and scheduling all required inspections associated with this work.
- Coordination with electrical contractor for fire alarm design/connection with fire suppression system.
- Provide all necessary sitework to install and tie into existing water service at right of way.
- Install any pads required for equipment.
- Any trenches required for this scope of work is the responsibility of this bid package. Concrete pour back will be completed by General Trades Contractor.

4. BP NO. 4 PLUMBING & MECHANICAL

a.	02 4000	Demolition (Plumbing & Mechanical)
b.	07 8400	Firestopping (Plumbing & Mechanical)
c.	22 05 01	General Provisions
d.	22 05 02	Assignment of Misc. Work
e.	22 05 03	Completion and Startup
f.	22 05 04	Demolition
g.	22 05 05	Concrete Pads and Curbs
h.	22 05 29	Basic Piping Requirements
i.	22 05 40	Trenching, Backfilling and Compacting (Exterior)
j.	22 05 41	Trenching, Backfilling and Compacting (Interior)
k.	22 05 48	Vibration and Seismic Controls for Piping and Equipment
l.	22 05 50	Noise Control
m.	22 05 53	Identification of Piping and Equipment
n.	22 05 64	Painting
o.	22 05 76	Drainage Piping Cleanouts
p.	22 07 19	Plumbing Pipe and Equipment Insulation
q.	22 11 16	Domestic Water Piping System
r.	22 11 23	Domestic Water Pumps
s.	22 13 16	Sanitary Waste and Vent Piping
t.	22 13 19	Sanitary Drains
u.	22 34 00	Domestic Water Heaters
v.	22 34 05	Thermostatic Mixing Valves
w.	22 42 00	Plumbing Fixture and Trim
x.	22 51 23	Flues and Vents
y.	22 70 16	Natural Gas Piping System
z.	23 05 01	General Provisions
aa.	23 05 02	Assignment of Misc. Work
bb.	23 05 03	Completion and Startup
cc.	23 05 04	Demolition
dd.	23 05 05	Concrete Pads and Curbs
ee.	23 05 13	Common Motor Requirements
ff.	23 05 48	Vibration and Seismic Controls for Piping and Equipment
gg.	23 05 50	Noise Control
hh.	23 05 53	Identification of Piping and Equipment
ii.	23 05 64	Painting
jj.	23 05 93	Testing, Adjusting and Balancing
kk.	23 07 13	Duct Insulation
ll.	23 07 19	HVAC Pipe and Equipment Insulation
mm.	23 09 13	Instrumentation and Control Devices
nn.	23 09 13.43	Temperature Control Dampers
oo.	23 09 93	Sequence of Operation for Controls
pp.	23 23 00	Refrigerant Piping System

qq.	23 31 00	HVAC Ducts and Casings
rr.	23 31 16	Non-Metal Ducts
ss.	23 33 00	Air Duct Accessories
tt.	23 34 00	HVAC Fans
uu.	23 37 00	Air Outlets and Inlets
vv.	23 37 23	HVAC Gravity Ventilators
ww.	23 37 50	Louvers
xx.	23 40 00	HVAC Air Cleaning Devices (Filters)
yy.	23 51 23	Flues and Vents
zz.	23 52 16	Boilers
aaa.	23 62 23	Water Chillers
bbb.	23 81 00	Packaged Heating and Cooling Units
ccc.	23 82 19	Fan and Coil Units
ddd.	23 82 23	Classroom Unit Ventilators
eee.	23 82 39	Terminal Heating Units
fff.	23 83 40	Electric Terminal Heating Units

- General Items

- All demolition, rerouting, and temporary work relating to this scope of work. Repair of adjacent or exposed surfaces from demolition activities. All removals required for new work shall be included whether or not indicated on the demolition drawings.
- Provide firestopping of mechanical and plumbing penetrations in rated walls.
- Contractor is responsible for paying all fees and scheduling all required inspections associated with this work.
- Existing Utility Interruptions: Do not interrupt utilities serving facilities occupied by Owner or others unless permitted under the following conditions and then only after arranging to provide temporary utility services according to requirements indicated:
 - Notify Construction Manager not less than (7) calendar days in advance of proposed utility interruptions.
 - Do not proceed with utility interruptions without Construction Manager's written permission.
 - Temporary service for Mechanical, Plumbing, Electrical, Fire Protection, etc. (ie. All required facility utilities needed for operation), must be in place and activated, prior to shutdown of any utility, area, or service.
- Site water and site sanitary piping by others, this scope shall begin piping 5'-0" outside the foundation wall. Coordinate tie in requirements and locations with the site utility contractor.
- Through-wall pipe penetrations through walls will require coordination with the installing Contractor.
- Should a sleeve be missed, it shall be the responsibility of this bid package.
- Furnish all access doors and panels to access concealed items where not shown on Drawings but required by Code.
- Variations of pipe routing to accommodate building conditions and/or other trades may exist.
- Provide layout and install for interior and exterior housekeeping pads for all equipment provided/installed by this bid package.

- Any roof penetrations shall be coordinated with the Roofing contractor. Furnish all accessories for roof penetrations including sleeves and roofing accessories. Final flashing will be by roofing contractor.
- Provide / install spray on insulation at roof drain assemblies as indicated
- All excavation and backfilling that may be required to complete this scope of work, are this contractor's responsibility to perform. Includes any interior trenching, saw cutting, and concrete removal. Concrete pour back will be completed by General Trades Contractor.
- Provide temporary heat as necessary and directed by the CM.
- Coordination and tie-in to buildings systems include all new equipment as specified and required.

5. BP NO. 5 ELECTRICAL & COMMUNICATIONS

a.	02 4000	Demolition (Electrical)
b.	07 8400	Firestopping (Electrical)
c.	26 05 01	General Provisions
d.	26 05 02	Assignments of Misc. Work
e.	26 05 03	Completion and Startup
f.	26 05 04	Demolition
g.	26 05 19	Low Voltage Electrical Power Conductors and Cables
h.	26 05 26	Grounding and Bonding
i.	26 05 33	Raceways and Boxes
j.	26 05 40	Trenching, Backfilling, and Compacting
k.	26 05 53	Identification of Electrical Systems
l.	26 05 64	Painting
m.	26 05 73	Overcurrent Protective Device Coordination Study
n.	26 08 01	Performance Testing
o.	26 08 02	Thermographic Surveys
p.	26 22 13	Low Voltage Distribution Transformers
q.	26 24 16	Panelboards
r.	26 27 26	Wiring Devices
s.	26 27 27	Floor Boxes
t.	26 28 00	Low Voltage Circuit Protective Devices
u.	26 29 00	Low Voltage Controllers
v.	26 51 00	Interior Lighting
w.	26 56 00	Exterior Lighting
x.	27 05 28	Pathways and Communications Systems
y.	28 31 00	Fire Alarm Detection and Alarm (Small Fire Alarm)

- General Items

- All demolition, rerouting, and temporary work associated with this scope. Repair of adjacent or exposed surfaces from demolition activities. Remove and store for re-installation all security devices indicated. All removals required for new work shall be included whether or not indicated on the demolition drawings.
- Provide firestopping of electrical penetrations in rated walls.
- Contractor is responsible for paying all fees, and scheduling all required inspections associated with this work.
- Through-wall pipe penetrations through walls will require coordination with the installing Contractor.

- Should a sleeve be missed it shall be the responsibility of this bid package.
- Furnish all access doors / panels for concealed items where not shown on drawings but required by code.
- Variations of pipe routing to accommodate building conditions and/or other trades may exist. Coordination with all other trades, and any associated costs with routing variations are included in this scope of work.
- Provide layout and install for interior and exterior housekeeping pads for all equipment provided/installed by this bid package.
- Any roof penetrations shall be coordinated with the Roofing contractor.
- Provide all accessories for roof and slab penetrations including sleeves, roofing accessories, and unit prefabricated insulated curbs.
- All excavation, backfill, concrete, masonry, and concrete patching, that may be required to complete this scope of work, are this contractor's responsibility to perform. Including any interior trenching, saw cutting, and concrete removal. Concrete pour back will be by General Trades contractor.
- Existing Utility Interruptions: Do not interrupt utilities serving facilities occupied by Owner or others unless permitted under the following conditions and then only after arranging to provide temporary utility services according to requirements indicated:
 - Notify Construction Manager not less than (7) calendar days in advance of proposed utility interruptions.
 - Do not proceed with utility interruptions without Construction Manager's written permission.
 - Temporary service for Mechanical, Plumbing, Electrical, etc. (ie. All required facility utilities needed for operation), must be operationally in place, activated and maintained, prior to shutdown of any utility, area, or service.
- Provide temporary power and lighting as required for project completion.

END OF SECTION 01 1200



HALSTEADarchitects

ARCHITECTURE

PLANNING

INTERIORS

PRESERVATION

HALSTEAD ARCHITECTS

1139 SHELBY STREET, INDIANAPOLIS, INDIANA 46203.1165 USA

TEL: 317.684.1431

FAX: 317.684.1433

NET: www.halstead-architects.com

123 E THIRD STREET, MARION, INDIANA 46952 USA

TEL: 765.662.9372

FAX: 765.662.9376

ADDENDUM NO. 1

DATE: June 1, 2026

PROJECT: Ernie Pyle Early Childhood Center
72 E. 1100 S.
Clinton, Indiana 46782

ARCHITECT: Halstead Architects
1139 Shelby Street
Indianapolis, Indiana 46203
(317) 684-1431 Phone

The original Drawings and Project Manual, dated May 11, 2026, are amended as indicated herein. The information included in this Addendum shall become a part of the basic Drawings and Project Manual, the same as if originally incorporated therein. The original Drawings and Project Manual shall remain in their entirety, except as modified by this Addendum. The items herein supersede information in the Drawings and Project Manual.

GENERAL

ITEM NO. 1: Bids delivered to the office of Hannig Construction at 815 Swan St, Terre Haute, IN 47807 by June 11, 2pm. Will be opened privately with owner and architect.

ITEM NO. 2: See attached Pre-bid Sign-In Sheet

SPECIFICATIONS

ITEM NO. 1: Spec 00 2113 section 1.8 A, please adjust wording to: Contract Form between Construction Manager and Contractor.

ITEM NO. 2: Spec section 00 7300, page 3 references section 01 3200, 01 3300, and 01 7400 but not within spec book.

ITEM NO. 3: Refer to Spec section 01 2200 Unit Prices.

ITEM NO. 4: On bid form adjust to the following: To: Vermillion County Redevelopment Commission through the Construction Manager

ARCHITECTURAL

- ITEM NO. 1:** Refer to attached sheets for updated wall legend that designates hatched wall for all new walls.
- ITEM NO. 2:** Refer to attached Sheet A8.2, drawings 4 & 14/A8.2, for changing table revisions.
- ITEM NO. 3:** Refer to attached Sheet D2.1, for removal of Keynote 1.04 and associated dimensions in 3-5 Year Classroom 220 from scope of work.
- ITEM NO. 4:** Please verify location of corner guards. **Answer: Corner guards are to be located at all exposed corners in rooms where children are present (classroom, gross motor, hallways, restrooms, etc). Do not include them in Alternate #2 (West Wing), since we don't know what the final layout will be in that area.**
- ITEM NO. 5:** Should sprinkler system be installed throughout entire facility within Base Bid?
Answer: Yes, that should be completed in the base bid.
- ITEM NO. 6:** Are Acoustical Sound Absorbing panels included in project scope? **Answer: No acoustical sound absorbing panels in this scope.**
- ITEM NO. 7:** Should plumbing/mechanical demo be broken into Base Bid and Alternates? Electrical Demo? **Answer: Yes, whatever scopes can be separated into the base bid and alternates. There might be some provisions that need to be done in the base bid, that allow for future connections if the Alternates are not chosen at this time.**
- ITEM NO. 8:** There is a window in Classroom 314, that has broken glass. Should we include this repair work in the base bid? If so, please confirm scope. **Answer: Yes, replace any existing broken glass with insulated glazing to match existing.**
- ITEM NO. 9:** The roofing alternate includes new parapet cap flashing. There is also additional metal that extends below the parapet and wraps the brick walls, should this be included to replace as well? **Answer: Provide cost to replace parapet cap and any damaged metal along fascia and accent banding. Replace with metal that matches existing color and shape. Separate cost to replace cap with the cost to repair damaged metal panels, so the owner can decide which route they want to go.**
- ITEM NO. 10:** Is there an existing warranty on the roof? **Answer: Unknown if there is an existing warranty, will need to verify with owner.**

MECHANICAL, ELECTRICAL AND PLUMBING

Refer to attached addendum sheets for all questions pertaining to MEP, along with any necessary drawings

END OF ADDENDUM #1

00 2113 - INSTRUCTIONS TO BIDDERS

PART 1 GENERAL

1.1 DEFINITIONS

- A. All definitions set forth in the General Conditions of the Contract for Construction, AIA Document A201, are applicable to these Instructions to Bidders.
- B. Bidding documents include the Invitation to Bid, Instructions to Bidders, the Bid Form and the proposed Contract Documents including any Addenda issued prior to receipt of bids.
- C. Addenda are written or graphic instruments issued prior to the execution of the Contract, which modify or interpret the bidding documents, including Drawings and Specifications, by additions, deletions, clarifications or corrections. Addenda will become part of the Contract Documents when the Construction Contract is executed.

1.2 BASIS OF BID

- A. The bidder must include completion time and all alternatives shown on the Bid Form; failure to comply may be cause for rejection. No segregated Bids or assignments will be considered.

1.3 EXAMINATION OF BIDDING DOCUMENTS & THE PROJECT SITE

- A. Each bidder by making his bid represents that he has read and understands the bidding documents.
- B. Each bidder by making his bid represents that he has visited the site and familiarized himself with the local conditions under which the work is to be performed.
- C. Each bidder shall examine the bidding documents and the project site carefully and, not later than five (5) days prior to the date for receipt of bids, shall make written request to the Architect for interpretation or correction of any ambiguity, inconsistency or error therein which he may discover. Any interpretation or correction to the bid documents will be issued as an Addendum by the Architect within three (3) days prior to the date for receipt of bids. Only a written interpretation or correction by Addendum shall be binding. No bidder shall rely upon any interpretation or correction given by any other method.

1.4 BIDDING PROCEDURES

- A. Bids shall be emailed to the Architect or submitted in a sealed, opaque envelope, identified with project name and name of bidder. The bidder is responsible for confirming that the bid is received by the Architect.
- B. Bids shall have the amounts written in words and figures. Should any discrepancies occur between the two, the amount written in words shall prevail as the correct amount. Bids shall not contain any alterations or erasures.

- C. Bids shall be signed with name typed below signature. Where bidder is a corporation, bids must be signed with the name of the corporation followed by the name of the State of incorporation and the legal signature of an officer authorized to bind the corporation to a contract.
- D. Any bid not signed by the individual submitting same shall have attached to it a Power of Attorney evidencing authority to sign the bid in the name of the person for whom it is signed.
- E. A bid is invalid if it has not been deposited at the designated location prior to the time and date for receipt of bids indicated in the Advertisement or Invitation to Bid, or prior to any extension thereof issued to the bidders.
- F. Unless otherwise provided in any supplement to these Instructions to Bidders, no bidder shall modify, withdraw or cancel his bid or any part thereof for 60 days after the time designated for the receipt of bids in the Invitation to Bid.
- G. Prior to the receipt of bids, Addenda will be emailed, mailed, faxed or delivered to each person or firm recorded by the Architect as having received the bidding documents and will be available for inspection wherever the bidding documents are kept available for that purpose. Addenda issued after receipt of bids will be emailed, mailed, faxed or delivered only to the selected bidder.
- H. Bids shall be delivered to the office of the CM.

1.5 SUBSTITUTIONS

- A. Each bidder represents that his bid is based upon the materials and equipment described in the bidding documents.
- B. No substitution will be considered unless written request has been submitted to the Architect for approval at least five (5) calendar days prior to the date for receipt of bids. Each such request shall include a complete description of the proposed substitute, the name of the material or equipment for which it is to be substituted, drawings, cuts, samples, performance and test data and any other data or information necessary for a complete evaluation.
- C. If the Architect approves any proposed substitution, such approval will be set forth in an Addendum.

1.6 REJECTION OF BIDS

- A. The bidder acknowledges the right of the Owner to reject any or all bids and to waive any informality or irregularity in any bid received. In addition, the bidder recognizes the right of the Owner to reject a bid if the bidder failed to furnish any required bid security, or to submit the data required by the bidding documents, or if the bid is in any way incomplete or irregular.

1.7 AWARD OF CONTRACT

- A. The Contract shall be deemed to have been awarded when notice of award has been duly served upon the Bidder to whom the Owner contemplates awarding the Contract, by; any Officer or Agent of the Owner duly authorized to give such notice.

- B. The contract will be awarded to the most responsive, most responsible bid. The owner will consider and may elect to accept alternates, unit prices and the time of completion as factors in determining the most responsive bid.

1.8 CONTRACT FORM AND TIME OF COMPLETION

- A. Contract Form between Construction Manager and Contractor shall be the Standard AIA Form A101, 2017 Edition, Agreement Between Owner and Contractor (refer to SECTION 00 5200). The general conditions of the contract shall be the Standard AIA Form A201, 2017 Edition, General Conditions (refer to SECTION 00 7200).
- B. On the Bid Form, the Contractor shall include a stipulated period of time for the successful completion of the work. The Owner maintains the right to consider the substantial completion date when accepting bids.

1.9 SUBMISSION OF POST-BID INFORMATION

- A. Within 48 hours after bids have been opened, the low bidder or bidders as requested shall submit in writing the following:
 - 1. A designation of the Work to be performed by the bidder with his own forces.
 - 2. A list of names of all Subcontractors or other persons or organizations, including those who are to furnish materials or equipment fabricated to a special design, proposed for such portions of the work as may be designated in the bidding documents or if no portions are so designated, the names of the Subcontractors proposed for the principal portions of the work. Contractors must complete the Subcontractor and Material Supplier List included in this specification section. Refer to Mechanical and Electrical specifications for respective required post-bid information.
 - 3. The Bidder may be required to establish to the satisfaction of the Architect and the Owner the reliability and responsibility of the proposed Subcontractors to furnish and perform the Work described in the sections of the Specifications pertaining to such proposed Subcontractor's respective trades.
 - a. Prior to the award of the Contract, the Architect will notify the Bidder in writing if either the Owner or the Architect, after due investigation, has reasonable and substantial objection to any person or organization on such list. If the Owner or Architect has a reasonable and substantial objection to any person or organization on such list, and refuses in writing to accept such person or organization, the bidder may, at his option, withdraw his bid without forfeiture of bid security. If the bidder submits an acceptable substitute with an increase in his bid price to cover the difference in cost occasioned by such substitution, the Owner may at his discretion, accept the increased bid price or he may disqualify the bidder.
 - b. Subcontractors and other persons and organizations proposed by the Bidder and accepted by the Owner and

the Architect must be used on the Work for which they were proposed and accepted and shall not be changed except with the written approval of the Owner and the Architect. Refer to the AIA A201 General Conditions, Article 5.2 (SECTION 00 7200).

1.10 SUBCONTRACTS

- A. Subcontract shall be Hannig Construction's standard Subcontract Agreement as referenced in Section 00 5200 Agreement Forms, Item 1.1.C. The Contractor shall submit copies of any and all subcontracts at the request of the CM, Architect or Owner.

1.11 QUESTIONS

- A. Any additional information required by the bidders, revisions in the work, changes or additions, correction of discrepancies in the bidding documents, or clarifications shall be in the form of Addenda written and issued by the Architect to all bidders of record as of the date of such Addenda.
- B. All Addenda issued prior to the time and date set for receipt of bids shall become a part of the bidding documents. Bidders shall list by number and date on the Bid Form, all Addenda which have been received by him prior to submission of his bid. The lump sum proposal amount shall include all work described by all such Addenda. It shall be the bidder's responsibility to determine that he has received all addenda, since no extra costs will be allowed by failure of the bidder to do so.
- C. Any bidder in doubt as to the true meaning of any part of the bidding documents may submit, no later than five (5) days prior to the date set for receipt of bids, a written request of the Architect for an interpretation. All interpretations of the bidding documents shall be made by written Addenda.
- D. All Addenda shall be issued by the Architect no later than three (3) days prior to receipt of bids.

1.12 TAX EXEMPTION

- A. The Owner is a qualified not-for-profit organization entitled to exemption from Indiana retail and use tax. As a result of the Owner's qualified not-for-profit status, purchases by the Contractor from a supplier of tangible personal property purchased to become a part of the Project are entitled to exemption from Indiana retail and use taxes. An amount equal to the savings as a result of the lack of Indiana retail and use taxes on tangible personal property purchased to become a part of the Project shall be credited against the Contract Sum. The Owner shall provide the Contractor with its tax exemption certificate or other documentation, after issuance of a contract, in order to enable such parties to claim exemption from Indiana retail and use taxes.

1.13 PERMITS

- A. The Owner will procure and pay for the Indiana State Construction Design Release, the Indianapolis Historic Preservation Commission Certificate of

Appropriateness, the Marion County Health Department Kitchen Inspection, The State Board of Health Certification, and the City of Indianapolis Storm Drainage permits. The Contractor is responsible to procure and pay for the City of Indianapolis Improvement Location Permit, Trade Permits, Economic Development Units, Utility Tap Fees and an Elevator Certification.

1.14 ELECTRONIC FILES

- A. The Architect will provide Adobe Portable Document Format (PDF) electronic copies of the Bid Documents via e-mail or website portal.
- B. After contract award the Architect may provide AutoCAD electronic files of the floor plan(s) provided the successful contractors sign a Release Form.
- C. The Architect will not provide Revit electronic files to contractors.

END OF SECTION 00 2113

BID FORM

PROJECT:

Ernie Pyle Early Childhood Center
72 East 1100 S
Clinton, IN 46782

TO:

Vermillion County Redevelopment Commission through the Construction Manager
815 Swan Street
Terre Haute, IN 47802

FROM:

I have received and thoroughly reviewed the Bidding Documents for the above project and have examined the site. I have also received and reviewed all Addenda and have included their provision in my Bid. I submit the following Bid in respect to said Bidding Documents.

In submitting this Bid, I agree:

- To hold my bid open until 60 days after the date set for receipt of Bids.
- To enter into and execute a Contract if awarded on the basis of this Bid, and to furnish Guarantee Bonds in accord with the Instructions to Bidders.
- To accomplish the Work in accord with the Contract Documents.
- To complete the Work in accord with the Instructions to Bidders.

The undersigned bidder, with a complete understanding of the bidding documents and the existing project site, shall complete the work for **BID PACKAGE#** _____, in full and complete accordance with the requirements of the bidding documents, for the lump sum **BASE BID PRICE** of:

_____ Dollars (\$ _____)

Written Amount

Numerals

ADDENDA

The following Addenda have been received by the undersigned bidder, and all costs resulting from these Addenda have been included in the preparation of this Bid Form.

Addenda No. _____ Dated _____

Addenda No. _____ Dated _____

ALTERNATE PROPOSALS

I will include the following alternates as specified substitutes for the additional or deductible costs listed required for a completed project.

Alternate #1: Provide the additional work related to additional classroom and gymnasium renovation areas – refer to Architectural and MEP Engineering drawings.

Added Cost _____

Added Time _____

Alternate #2: Provide the additional work related to additional west wing renovation area – refer to Architectural and MEP Engineering drawings.

Added Cost _____

Added Time _____

COMPLETION TIME

I will substantially complete the project, ready for beneficial use by the Owner, within
_____ () calendar days.
Written Amount Numerals

IN TESTIMONY WHEREOF, THE BIDDER (AN INDIVIDUAL) HAS HEREUNTO SET HIS HAND

This _____ day of _____, 202X.

Bidder: _____
Signed

Printed

IN TESTIMONY WHEREOF, THE BIDDER (A CORPORATION) HAS CAUSED THIS PROPOSAL TO BE SIGNED BY ITS PRESIDENT AND SECRETARY AND AFFIXED ITS CORPORATE SEAL

This _____ day of _____, 202X.

BY:

Name of Corporation

_____, President
Printed

_____, Secretary
Printed

_____, President
Signed

_____, Secretary
Signed

IN TESTIMONY WHEREOF, THE BIDDER (A PARTNERSHIP) HAS CAUSED THIS PROPOSAL TO BE SIGNED BY EACH GENERAL PARTNER

This _____ day of _____, 202X.

BY:

Name of Partnership

_____, Partner
Printed

_____, Partner
Printed

_____, Partner
Signed

_____, Partner
Signed

END OF SECTION 00300

00 7300 - SUPPLEMENTARY CONDITIONS OF THE CONTRACT FOR CONSTRUCTION

PART 1 GENERAL

1.1 GENERAL CONDITIONS

- A. The General Conditions of the Contract for Construction, AIA Document A201 –2017, is a part of this Contract and is incorporated herein (refer to SECTION 00 7200).
- B. These Supplementary Conditions supplement and modify the “General Conditions of the Contract for Construction,” AIA Document A201-2017 (“General Conditions”). Where a portion of the General Conditions is modified or deleted by these Supplementary Conditions, the unaltered portions of the General Conditions shall remain in effect. If the General Conditions and these Supplementary Conditions are inconsistent, these Supplementary Conditions shall control.
- C. All references herein to Articles, Paragraphs and Subparagraphs shall refer to provisions of the General Conditions.
- D. Additions and modifications are set forth below.

1.2 ARTICLE 1. GENERAL PROVISIONS

- A. Definitions. The Contract Documents include also the Bidding Requirements and Contract Forms as herein before set forth.
- B. Definitions. The Specifications. Division 00 and 01 apply to all Divisions and Sections of the Specifications.
- C. Clarification. In the event of a conflict between the drawings or specifications, the Architect shall determine which governs, based upon the Architect’s interpretation of the intent of the Contract Documents.

1.3 ARTICLE 3. CONTRACTOR

A. 3.4 LABOR AND MATERIALS

NEW ADD the following Subparagraph 3.4.4:

3.4.4 “Any employee of the Contractor or Subcontractors whom the Owner reasonably considers detrimental is to be removed promptly upon notification from the Owner.”

B. 3.5 WARRANTY

3.5.1 DELETE Subparagraph 3.5.1 and SUBSTITUTE the following:

3.5.1 “The Contractor warrants to the Owner and the Architect that materials and equipment furnished under the Contract will be of good quality and new unless otherwise required or permitted by the Contract Documents, and that the Work will be of good quality, free from faults and defects, and will be performed in a good and workmanlike manner and in conformance with the Contract Documents. Work not conforming to these requirements,

including substitutions not properly approved and authorized, may be considered defective. If required by the Architect or the Owner, the Contractor shall furnish satisfactory evidence as to the kind and quality of materials and equipment. This warranty is not limited by the provisions of Paragraph 12.2.”

C. 3.13 USE OF SITE

NEW ADD the following Subparagraph 3.13.1:

3.13.1 The Contractor shall coordinate all of the Contractor's operations with and secure approval from the Owner before using any portion of the site.

D. 3.18 INDEMNIFICATION

3.18.1 DELETE Subparagraph 3.18.1 and SUBSTITUTE the following:

3.18.1 The Contractor, and each subcontractor (hereinafter “Indemnitors”) hereby agree to indemnify, save and hold harmless, and defend at their own expense the Owner, its officers, directors, agents, employees, and any other person or entity for whom any of them may be legally responsible (herein collectively called “Indemnitees”) against all claims, losses, damages, suits, costs and expenses, including attorneys’ fees, which arise out of, result from, or are alleged to arise out of or result from the performance of the Work or the failure to perform the Work in accordance with the requirements of the Contract Documents, including (without limiting the generality of the foregoing) all liability for claims for bodily injury, sickness, disease or death or damage to property (but expressly excluding damage to the Work itself), including the loss of use thereof. These indemnity obligations shall survive the completion, cancellation or early termination of this Contract. If any part of this provision is adjudged to be contrary to law, the remaining parts of the provision shall, in all other respects, be and remain legally effective and binding. Moreover, this provision shall not be construed to eliminate or in any way reduce any other indemnification or other right or obligations which would otherwise exist as to any Indemnitee or Indemnitor.

E. Clarification. Each item of equipment and material and its’ installation shall be warranted by the Contractor. The equipment and material shall be warranted by the supplier and the manufacturer.

F. Clarification. The warranty period for the work, or any portion of the work, shall commence upon the date of Substantial Completion as certified by the Architect.

G. Addition. The General Contractor shall provide a one (1) year material and labor warranty for the entire scope of work. All other required warranties shall be specified in the respective individual specification sections. Warranty will commence at the date of Substantial Completion.

1.4 ARTICLE 5. SUBCONTRACTORS

A. 5.3 SUBCONTRACTUAL RELATIONS

NEW ADD the following Subparagraphs 5.3.1, 5.3.2 and 5.3.3:

5.3.1 The agreement between the Contractor and the Subcontractor (and where appropriate between Subcontractors and Sub-subcontractors) shall include provisions that:

- .1 require that such Work be performed in accordance with the requirements of the Contract Documents;
- .2 require submission to the Contractor of applications for payment under each subcontract to which the Contractor is a party, in reasonable time to enable the Contractor to apply for payment in accordance with Article 9;
- .3 require that all claims for additional costs, extensions of time, damages for delays or otherwise with respect to subcontracted portions of the Work be submitted to the Contractor (via any Subcontractor or Sub-subcontractor where appropriate) in sufficient time so that the Contractor may comply in the manner provided in the Contract Documents for like claims by the Contractor upon the Owner;
- .4 obligate each Subcontractor specifically to consent to the provisions of this Paragraph 5.3; and
- .5 obligate the Subcontractor to waive all rights against the Owner and against those for whom the Owner is legally liable for losses covered by insurance provided by the Subcontractor to the extent the upper limits of such insurance are adequate to cover such damages.
- .6 preserve and protect the rights of Owner. If the policies of insurance provided by the Subcontractor require an endorsement to provide for continued coverage where there is a waiver of subrogation, the Subcontractor will cause them to be so endorsed.

B. 5.3.2 The Contractor shall pay each Subcontractor the amount to which the Subcontractor is entitled. The Contractor shall also require each Subcontractor to make similar payments to its Sub-subcontractors.

C. 5.3.3 In the event it appears to the Owner or the Architect that labor, material and other invoices incurred in the performance of Contractor's Work are not being currently paid, the Owner and the Architect may take such action as they deem necessary to insure that the money paid with any progress payment will be utilized to pay such invoices.

1.5 ARTICLE 8. TIME

A. 8.3 DELAYS AND EXTENSION OF TIME

8.3.1 DELETE Subparagraph 8.3.1 and SUBSTITUTE the following:

8.3.1 If the progress of the Work is delayed by any fault, neglect, act or failure or act of the Contractor or its Subcontractors or any of the respective agents, employees or others for whom either Contractor or its Subcontractors are liable, then the Contractor shall, in addition to all other obligations hereunder and at the Contractor's cost and expense, work such overtime as the Owner deems necessary to comply with the Project schedule and to avoid any future delay. Should such delay cause any additional costs, expenses, liabilities or damages to the Owner, or for which the Owner may be liable, the Contractor shall compensate the Owner for and indemnify it against all such costs, expenses, liabilities and damage regardless of other provisions in the General Conditions.

B. 8.3.2 DELETE Subparagraph 8.3.2 and SUBSTITUTE the following:

8.3.2 If the progress of the Work is delayed as the result of the occurrence of any of the following events: acts of a public enemy or the government; fire or other casualty for which the Contractor or its Subcontractors are not responsible; adverse weather conditions not reasonably anticipated; any act or omission of the Owner or a separate contractor employed by the Owner; labor disputes; or other causes beyond the Contractor's reasonable control, then the Contract Time shall be extended by Change Order for such reasonable time as may be attributable to such delay. No extensions of time shall be granted for interruptions of the Work to permit performance by other contractors or for delays which could have been avoided by the Contractor, its Subcontractors or materialmen by the exercise of normal diligence, or which resulted in whole or in part from the fault or negligence of the Contractor, or its Subcontractors or materialmen. The right to request an extension of the Contract Time and the Contractor's right to make a claim for extended overhead shall be the Contractor's only remedy against the Owner, and the Contractor shall have no other claim against the Owner for an increase in the Contract Sum, or for damage, loss or expense resulting from delays, or for damage, loss or expense resulting from interruptions or suspensions of his work to enable other contractors to perform their work.

1.6 ARTICLE 9. PAYMENTS & COMPLETION

A. NEW ADD the following Subparagraphs:

B. Article 9.2.1: The Schedule of Values shall be submitted according to SECTION 01 2900.

- C. Article 9.3.1.3: Until final payment, the Owner will pay ninety percent (90%) of the amount due the Contractor on account of progress payments. If the manner or completion of the work and it's progress are and remain satisfactory to the Architect and in the absence of other good and sufficient reasons, when the project is shown to be fifty percent (50%) or more complete in the Application for Payment, the Architect may, without reduction of previous retainage, on presentation by the Contractor of Surety Consent, if applicable, certify remaining progress payments to be paid in full.
- D. Article 9.3.1.4: The full contract retainage may be reinstated if the manner of the completion of the work and it's progress do not remain satisfactory to the Architect or for other good and sufficient reasons or if the Surety withholds consent.
- E. Article 9.3.1.5: Additional requirements pertaining to Applications for Payment are included in SECTION 01 2900.
- F. 9.3 APPLICATIONS FOR PAYMENT
 - 9.3.3 DELETE Subparagraph 9.3.3 and SUBSTITUTE the following:

9.3.3 The Contractor warrants that title to all Work, materials and equipment covered by an application for payment will pass to the Owner either by incorporation in the construction or upon receipt of payment by the Contractor, whichever occurs first, free and clear of all liens, claims, security interests or encumbrances; and that no Work, materials or equipment covered by an application for payment will have been acquired by the Contractor or by any other person performing Work or any supplier for the Project, or shall be subject to an agreement under which an interest therein is retained by the seller.
- G. 9.6 PROGRESS PAYMENTS
 - 9.6.1 DELETE the initial phrase in the first line of Subparagraph 9.6.1 and SUBSTITUTE the following phrase: "Except in the event the Owner is entitled to withhold payments to the Contractor as provided in the Contract Documents, after the Architect has issued a Certificate for Payment,"
- H. 9.10 FINAL COMPLETION AND FINAL PAYMENT
 - 9.10.3 DELETE the next to the last sentence of Subparagraph 9.10.3 and SUBSTITUTE the following: "Such payment shall be made under terms and conditions governing final payment."

1.7 ARTICLE 11. INSURANCE AND BONDS

- A. General Contractor's Liability Insurance. Liability Insurance shall include all major divisions of coverage and be on a comprehensive general basis including:
 1. Premises - Operations (including X-C-U).
 2. Owner's and Contractor's Protective.
 3. Products and Completed Operations.
 4. Contractual - including specific provision for the Contractor's obligations under paragraph. 3.18 of the General Conditions.

5. Owned, non-owned and hired vehicles.
6. Limits of liability shall be as follows:
 - a. Workmen's Compensation, Disability Benefit and other similar employee benefit acts. \$100,000 but not less than required by law.
 - b. Comprehensive General Liability, Bodily Injury and Property Damage - \$500,000 Combined single limit
 - c. Comprehensive Automobile Liability

	EACH PERSON	EACH OCCURRENCE
Bodily Injury	\$250,000	\$500,000
Property Damage	\$100,000	\$100,000
 - d. Umbrella Coverage

In addition to comprehensive liability Contractor shall carry a \$2,000,000 excess liability insurance policy.
7. Owner's Property Insurance. The Contractor shall be responsible for any losses that may occur within the deductible portion of the policy, not-to-exceed \$5,000.00.

B. 11.4 PROPERTY INSURANCE

ADD the following Article 11.4.1: Such insurance shall not insure against theft or other loss of tools, equipment or other personal property of the Contractor or any Subcontractor or Sub-Subcontractor. The Owner shall have power to adjust and settle a loss with insurers.

1.8 ARTICLE 12 UNCOVERING AND CORRECTION OF WORK

A. 12.2 CORRECTION OF WORK

12.2.1 DELETE the word "or" after the word "Architect" in line 1 of Subparagraph 12.2.1 and SUBSTITUTE the words "or the Owner as defective or as".

1.9 ARTICLE 13 MISCELLANEOUS PROVISIONS

A. 13.3 RIGHTS AND REMEDIES

Add Article 13.3.3: Unless expressly provided otherwise herein, all notices provided for in the Contract shall be in writing.

END OF SECTION 00 7300

01 2200 - UNIT PRICES

PART 1 GENERAL

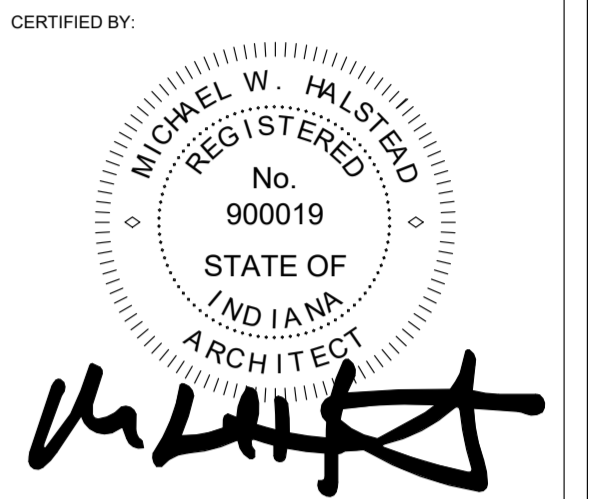
1.1 SUMMARY

- A. Provide unit prices as shown and specified.
- B. A unit price is an amount proposed by Bidders and stated on the Bid Form as a price per unit of measurement for materials or services that will be added to or deducted from the Contract Sum by Change Order in the event the estimated quantities of Work required by the Contract Documents are increased or decreased.
- C. Unit prices shall include all necessary material, overhead, profit and applicable taxes.
- D. Refer to individual Specification Sections for construction activities requiring the establishment of unit prices. Methods of measurement and payment for unit prices are specified in those Sections.

1.2 SCHEDULE OF UNIT PRICES

- A. Unit Price No. 1:
 - 1. Description: Replacement of poor soils with new compacted granular fill. The unit cost should include removal and off-site disposal of the existing poor soils and installation of the new compacted fill.
 - 2. Unit of Measurement: Per cubic yard.
- B. Unit Price No. 2:
 - 1. Description: Replacement of poor soils with new lean concrete (1,500 psi minimum). The unit cost should include removal and disposal of the existing poor soils and installation of the lean concrete.
 - 2. Unit of Measurement: Per cubic yard.

END OF SECTION 01 2200



ERNIE PYLE EARLY CHILDHOOD
ERNIE PYLE EARLY CHILDHOOD CENTER
 72 E 1100 S
 CLINTON, IN 46782

DRAWING
 DEMOLITION PLAN

ISSUE
 CONSTRUCTION DOCUMENT SET - 5-11-26
 90% CDs - 5-5-26
 DESIGN DEVELOPMENT SET - 6-13-25

REVISIONS		
NO.	DESCRIPTION	DATE
1	Addendum #1	6-1-2026

PROJECT NUMBER 2339
 DATE MAY 11, 2026

D2.1

GENERAL DEMOLITION NOTES:

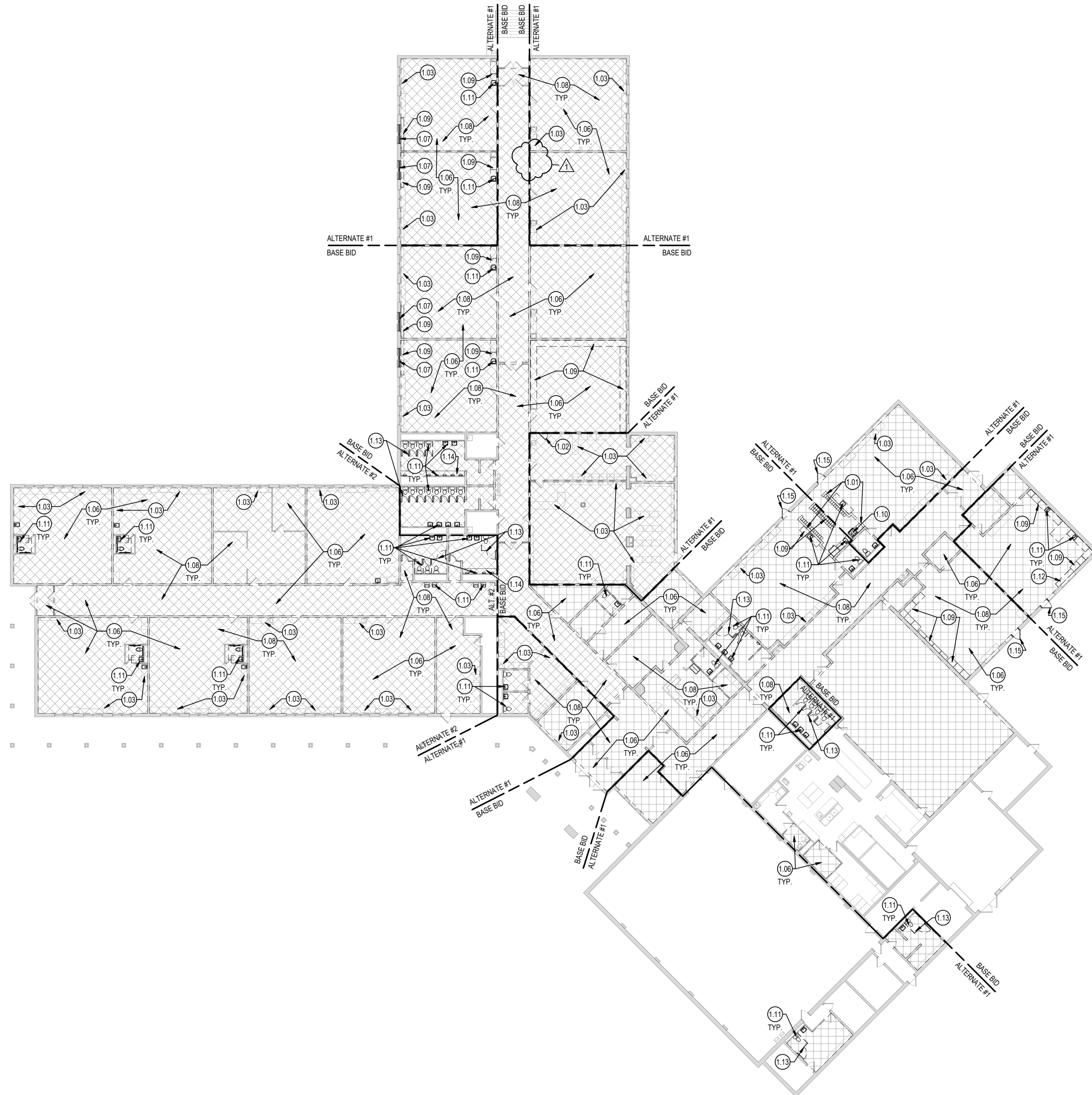
- THESE DRAWINGS ARE INTENDED TO OUTLINE THE GENERAL SCOPE OF THE WORK. CONTRACTORS SHALL FIELD VERIFY ALL EXISTING CONDITIONS AND DIMENSIONS BEFORE STARTING ANY WORK. CONTRACTORS SHALL ALSO BE RESPONSIBLE FOR ADHERING TO ALL APPLICABLE CODES AND GENERALLY ACCEPTED TRADE PRACTICES.
- ALL DIMENSIONS ARE FROM FACE OF STUD TO FACE OF STUD, MASONRY, OR EXISTING WALL SURFACE, UNLESS NOTED OTHERWISE.
- EACH CONTRACTOR SHALL VERIFY EXISTING CONDITIONS. CONTRACTOR SHALL REPORT ALL DISCREPANCIES OR OMISSIONS THAT OCCUR TO THE ARCHITECT.
- THE CONTRACTOR SHALL PROTECT ALL SURFACES, FINISHES, AND EQUIPMENT TO REMAIN.
- THE REMOVAL OF ANY AND ALL GYPSUM BOARD WILL INCLUDE THE REMOVAL OF ALL NAILS AND/OR SCREWS USED THROUGHOUT INSTALLATION.
- THE REMOVAL OF ANY AND ALL PLUMBING FIXTURES WILL INCLUDE THE CAPPING OF LINES BELOW THE FINISHED FLOOR. ALL ADJACENT MATERIALS SHALL BE LEVELED AND PATCHED.
- EXISTING LIGHT FIXTURES TO REMAIN UNLESS NOTED OTHERWISE. CONTRACTOR SHALL COORDINATE WITH LIGHTING PLANS.

DEMO LEGEND

- EXISTING CONSTRUCTION TO REMAIN
- - - EXISTING CONSTRUCTION TO BE REMOVED
- EXISTING DOOR AND FRAME TO REMAIN
- - - EXISTING DOOR AND FRAME TO BE REMOVED
- ▨ AREA OF EXISTING FLOORING AND CEILING TILES TO BE REMOVED IN THEIR ENTIRETY
- ▩ AREA OF EXISTING CEILING TILES TO BE REMOVED IN THEIR ENTIRETY (GRID TO REMAIN)

DEMOLITION KEYNOTES

- REMOVE EXISTING WALL CONSTRUCTION IN ITS ENTIRETY.
- REMOVE EXISTING DOOR, FRAME, TRIM, AND HARDWARE IN ITS ENTIRETY.
- EXISTING CASEWORK TO REMAIN.
- AREA TO REMOVE EXISTING FINISHED FLOOR SYSTEM AND BASE IN ITS ENTIRETY.
- REMOVE EXISTING WINDOW UNIT AND EXTERIOR WALL CONSTRUCTION TO FINISH FLOOR. PREPARE OPENING FOR NEW DOOR AND FRAME.
- AREA TO REMOVE EXISTING ACOUSTIC CEILING PANELS AND LIGHT FIXTURES IN THEIR ENTIRETY. EXISTING GRID SYSTEM TO REMAIN (COORDINATE WITH NEW WALL CONSTRUCTION FOR SELECTIVE REMOVAL AND PATCHING)
- REMOVE EXISTING CASEWORK IN ITS ENTIRETY.
- EXISTING KITCHEN EQUIPMENT TO REMAIN
- REMOVE EXISTING PLUMBING FIXTURE IN ITS ENTIRETY. CAP OFF PLUMBING LINES AS REQUIRED.
- EXISTING MECH. EQUIPMENT TO REMAIN (SEE MEP DRAWINGS)
- REMOVE EXISTING TOILET PARTITIONS IN THEIR ENTIRETY (CAP AT LINES AS REQUIRED)
- REMOVE EXISTING MOSAIC FLOOR AREA AND CONCRETE SLAB, ALONG WITH FLOOR MOUNTED URINALS AND WALL TILE BEHIND IN THEIR ENTIRETY.
- REMOVE EXISTING DOOR SLAB IN ITS ENTIRETY. EXISTING FRAME TO REMAIN. PREPARE OPENING FOR NEW SLAB AND HARDWARE.



1 FIRST FLOOR DEMOLITION PLAN
 SCALE: 1" = 20'-0"

TOILET ACCESSORY SCHEDULE (GB1)				
MARK	SYMBOL	DESCRIPTION	REMARKS	MOUNTING HT.
GB1		GRAB BAR - CONTINUOUS HORIZONTAL	40" x 56"	34" CL
GB2		GRAB BAR - VERTICAL	18"	40" BOTTOM
GB3		CHILD GRAB BAR - HORIZONTAL	24"	18" CL
GB4		CHILD GRAB BAR - HORIZONTAL	42"	18" CL
TT1		TOILET TISSUE DISP. - PARTITION MTD., DUAL COMP. (BYOWNER)	MULTI-ROLL	28" TOP
TT2		TOILET TISSUE DISP. - SURFACE MOUNTED (BYOWNER)	MULTI-ROLL	28" TOP
ND1		NAPKIN DISPOSAL - SURFACE MOUNTED (BYOWNER)	1 1/5 GALLON CAPACITY	28" TOP
M1		MIRROR	24" x 36"	40" BOTTOM
M2		MIRROR	24" x 60"	40" BOTTOM
SC1		SHOWER ROD & CURTAIN	-	-
SD1		SOAP DISPENSER - WALL MOUNTED (BYOWNER)	40 OZ.	39" TOP
SD2		SOAP DISPENSER - COUNTER MOUNTED (BYOWNER)	40 OZ.	-
TD1		TOWEL DISP. & WASTE RECEPTACLE - SEMI-RECESSED (BY OWNER)	600 C-FOLD 800 M.F. 12 GALLON CAPACITY	66" TOP
TD2		TOWEL DISP. & WASTE RECEPTACLE - SEMI-RECESSED (BY OWNER)	350 C-FOLD 475 M.F. 2 GALLON CAPACITY	66" TOP
US1		UTILITY SHELF W/ BROOM HOLDERS & HOOKS (BY OWNER)	36" WIDE	60" TOP

NOTE:
 1. GENERAL CONTRACTOR TO PROVIDE BLOCKING FOR ALL TOILET ACCESSORIES.
 2. REFER TO ELEVATIONS FOR CHILD ACCESSORY MOUNTING HEIGHTS.

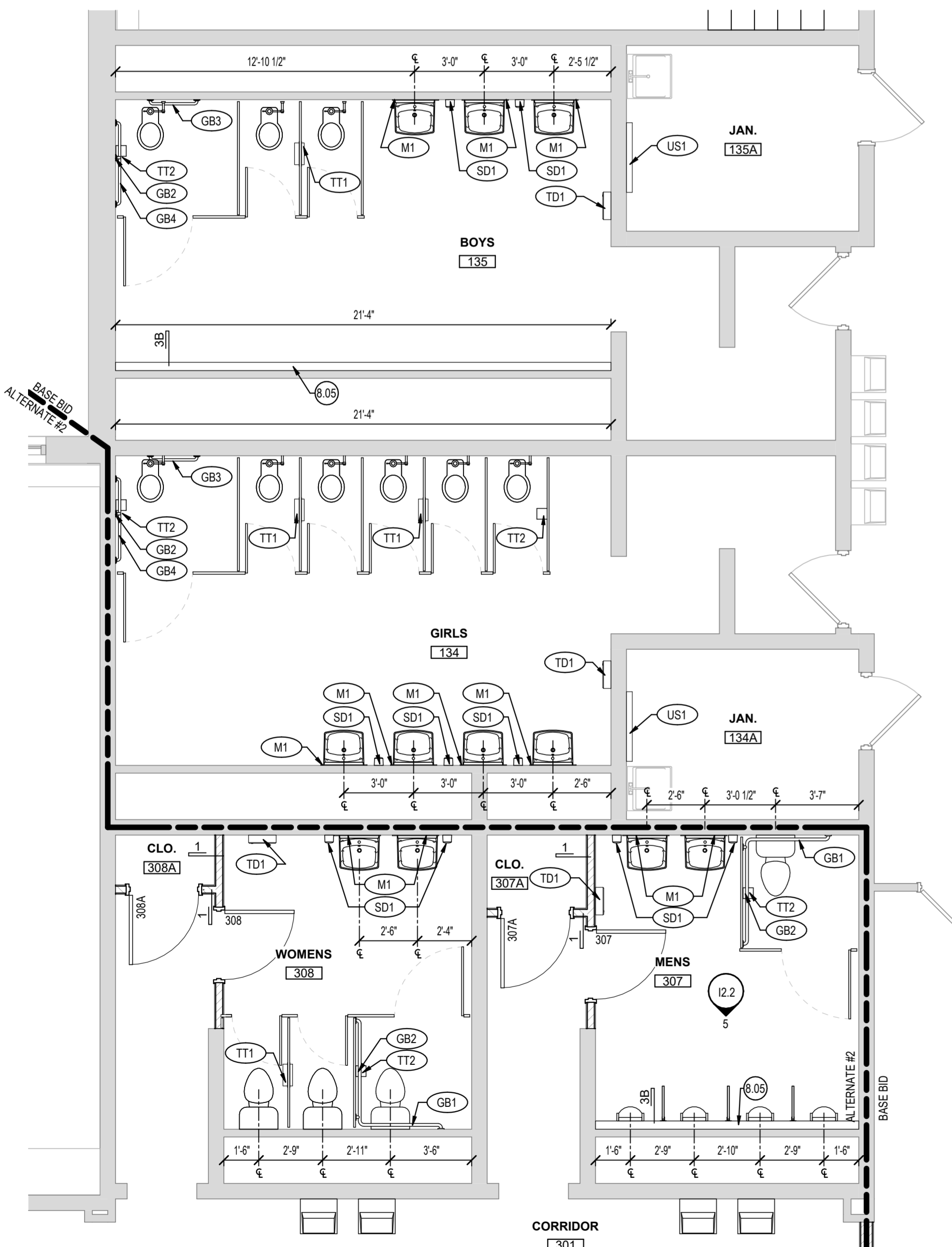
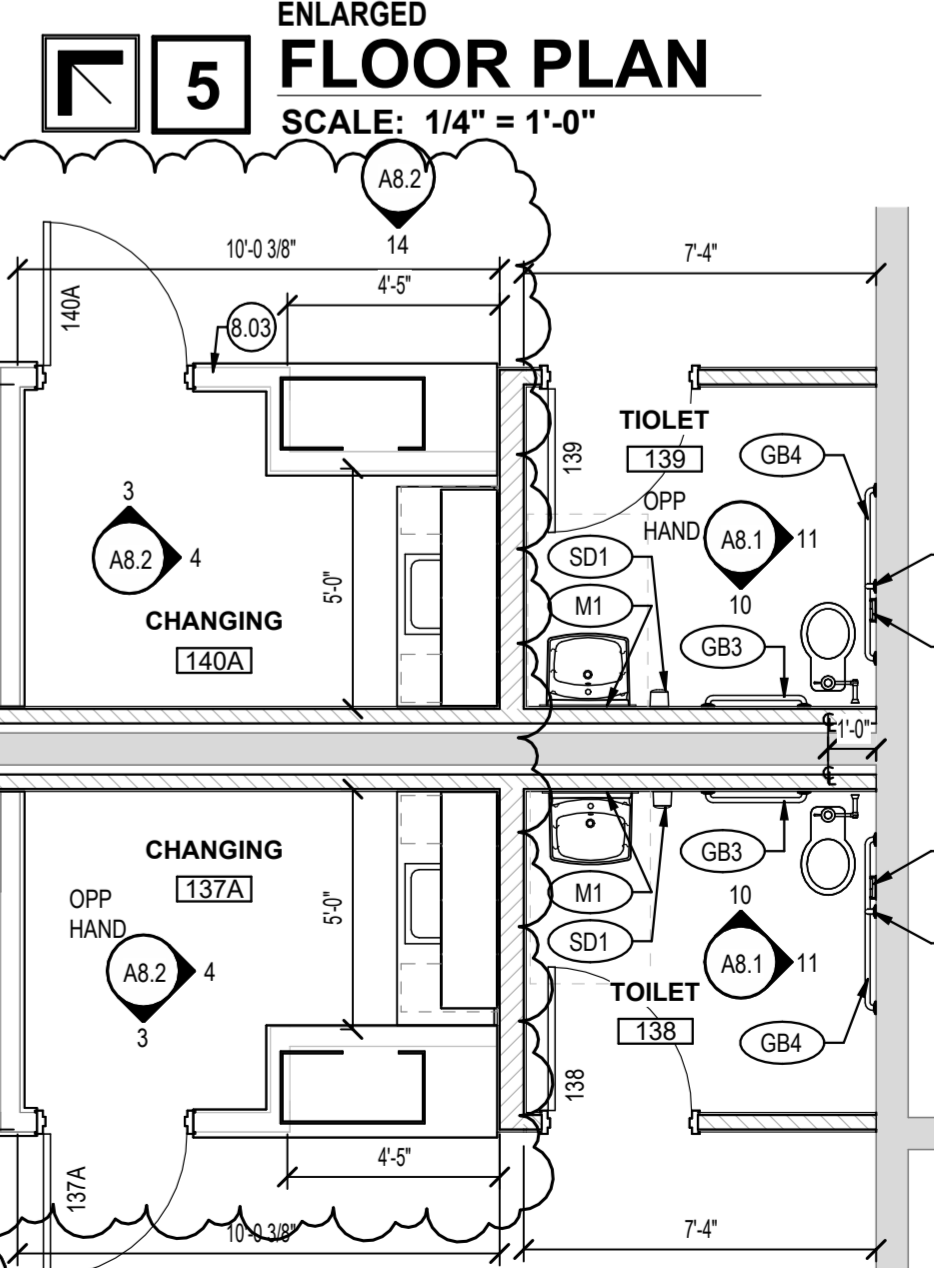
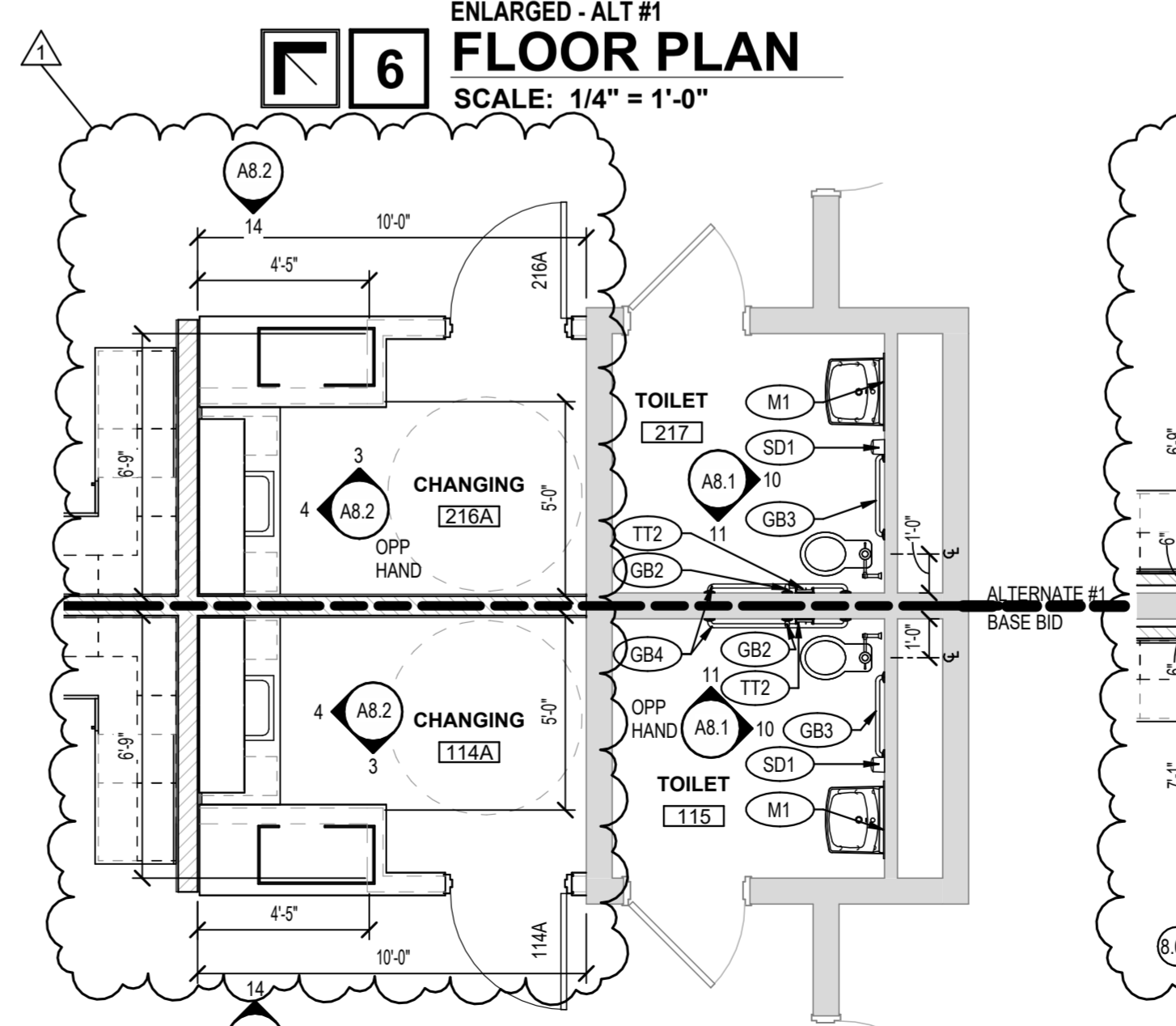
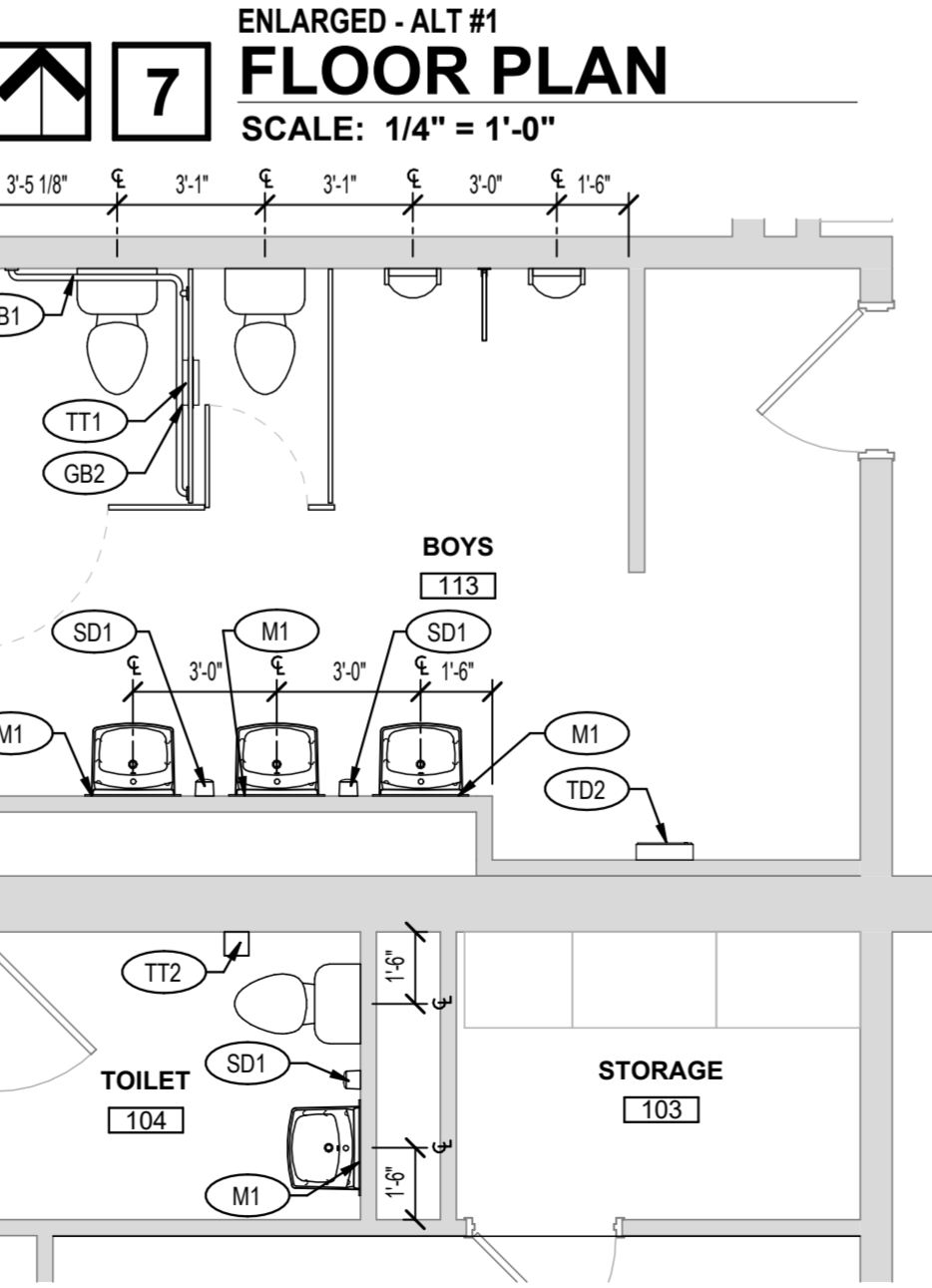
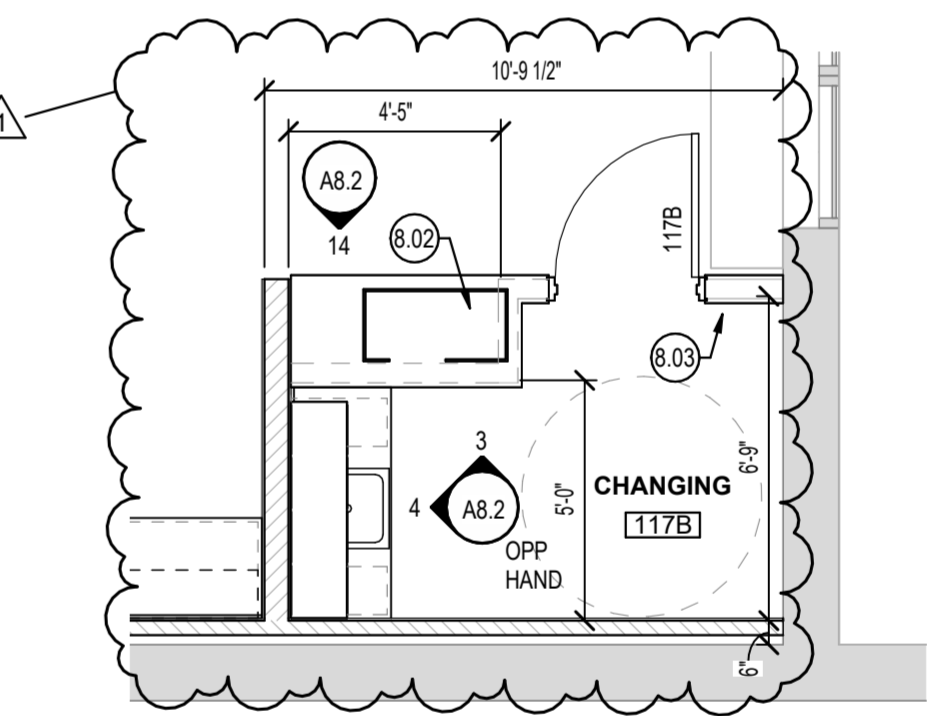
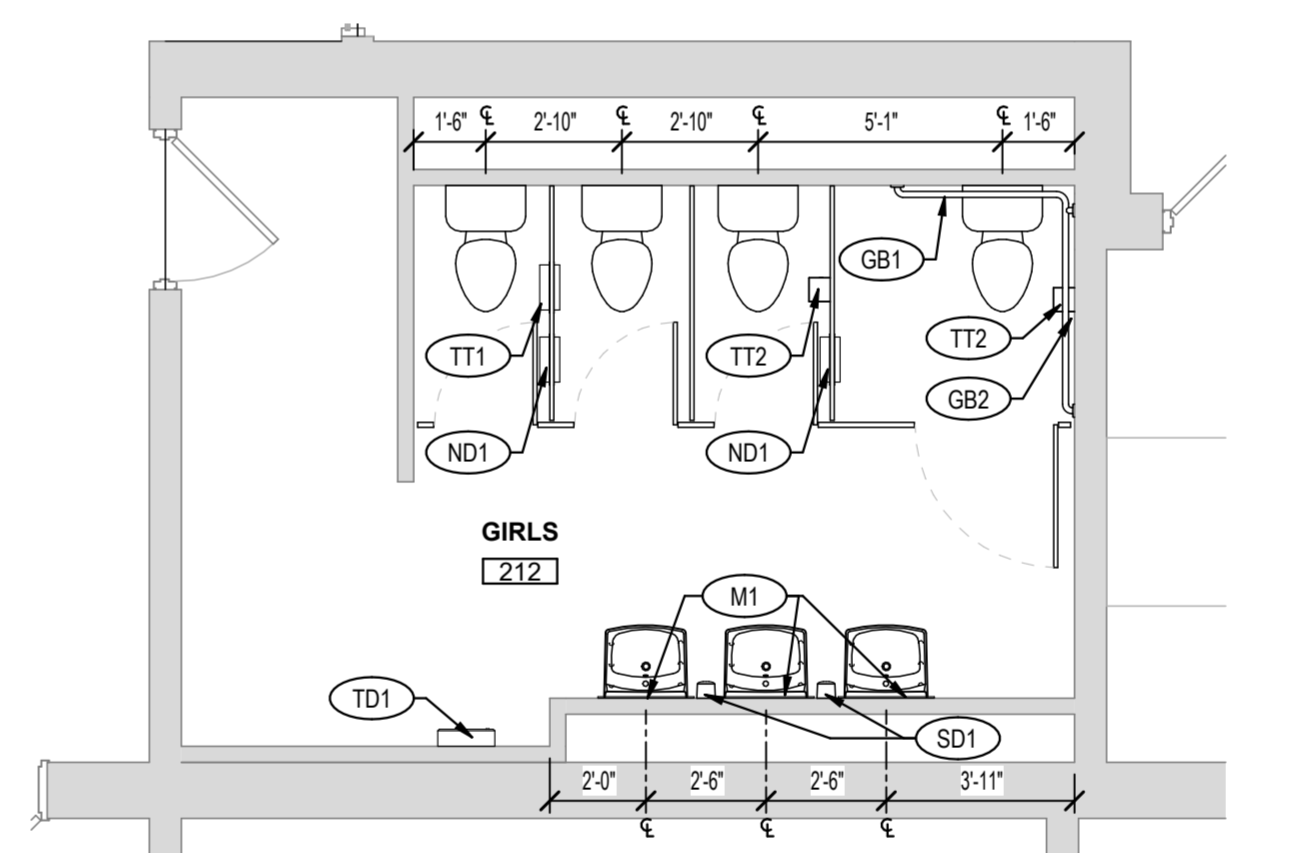
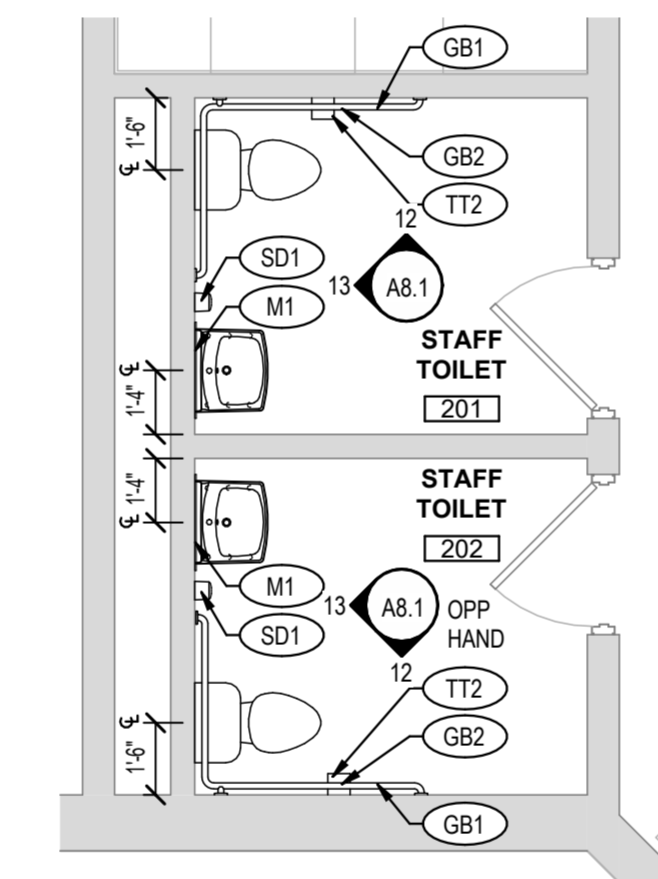
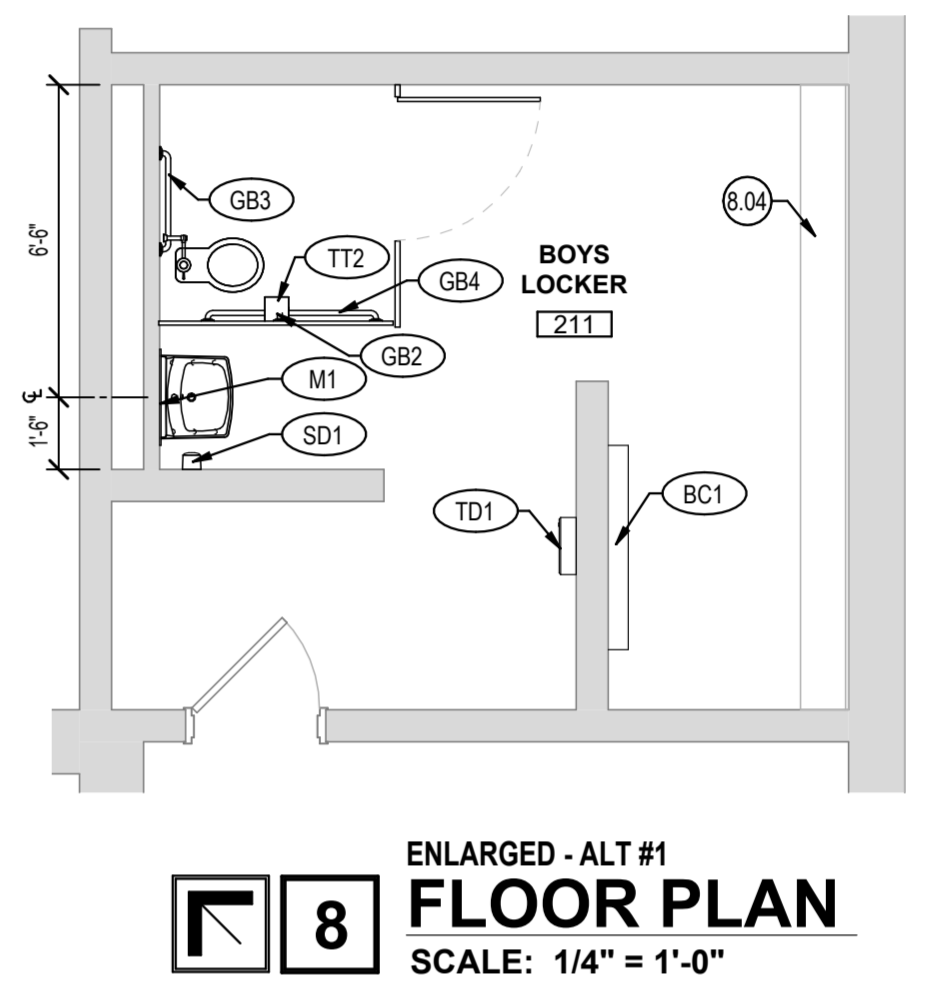
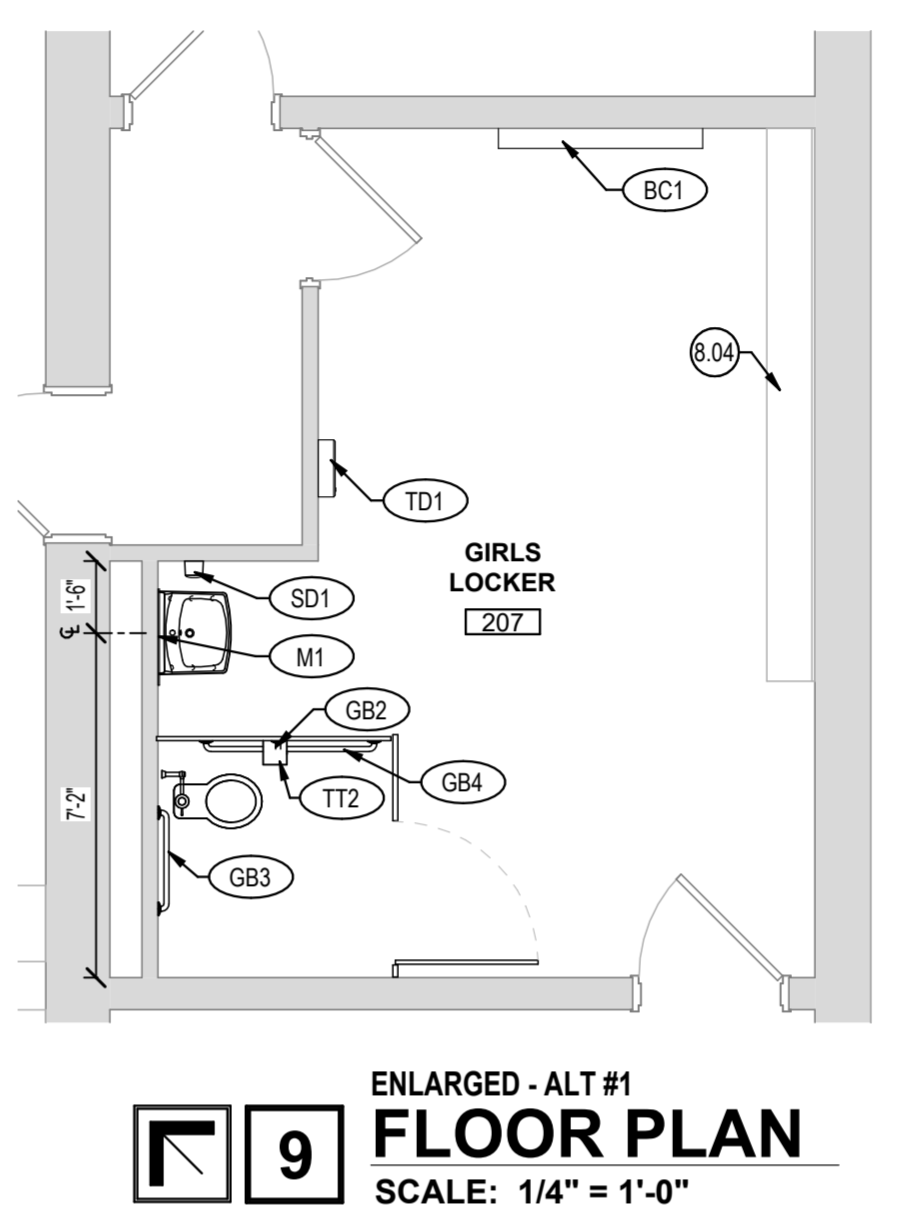
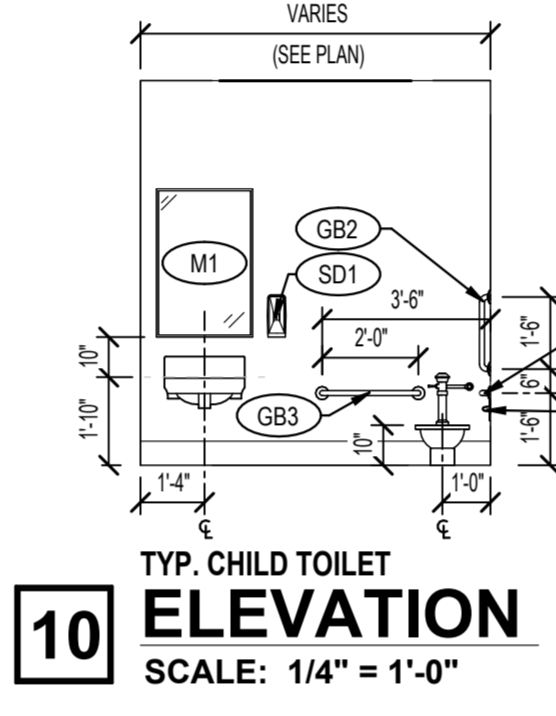
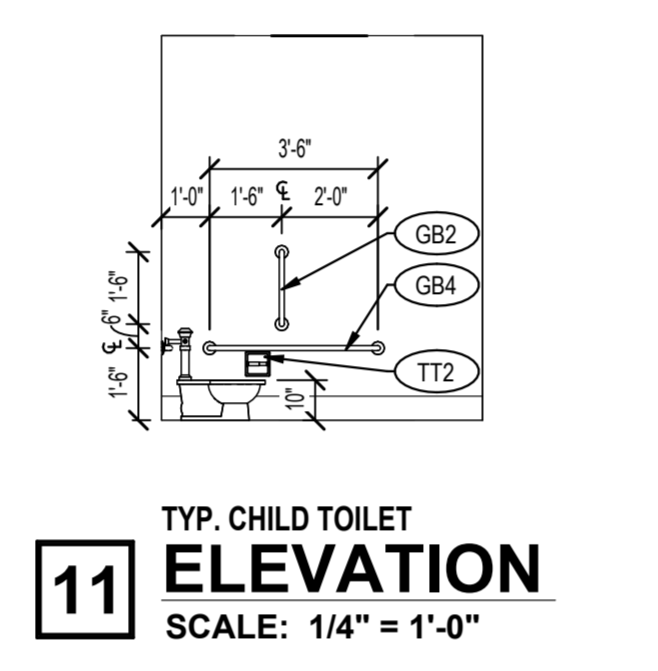
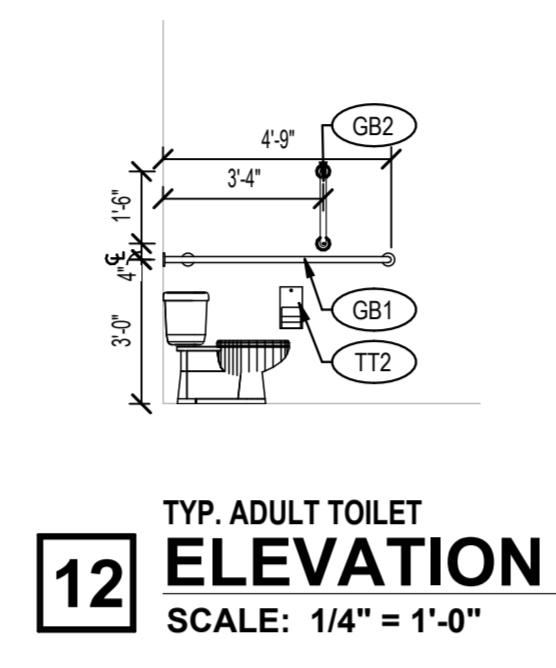
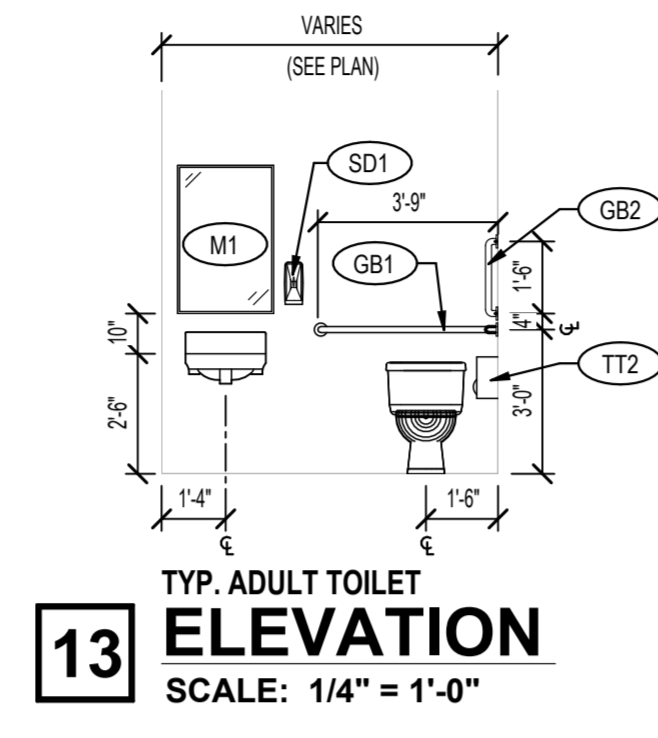
ENLARGED PLAN KEYNOTES
 8.02 HALF WALL TO 2'-10" A.F.F. (SEE 12A/A8.2)
 8.03 LINE OF WALL BELOW
 8.04 EXISTING LOCKERS TO REMAIN
 8.05 HALF WALL TO 5'-0" A.F.F. W/ SOLID SURFACE CAP (SEE 12B/A8.2)

HALSTEADarchitects

1139 SHELBY STREET INDIANAPOLIS, IN 46203 317.684.1431
 402 S WASHINGTON STREET SUITE 201 MARION, INDIANA 46952 765.662.9372
 www.halstead-architects.com

CERTIFIED BY:

 MICHAEL W. HALSTEAD
 No. 900019
 STATE OF INDIANA
 ARCHITECT



ERNIE PYLE EARLY CHILDHOOD
ERNIE PYLE EARLY CHILDHOOD CENTER
 72 E 1100 S
 CLINTON, IN 46782

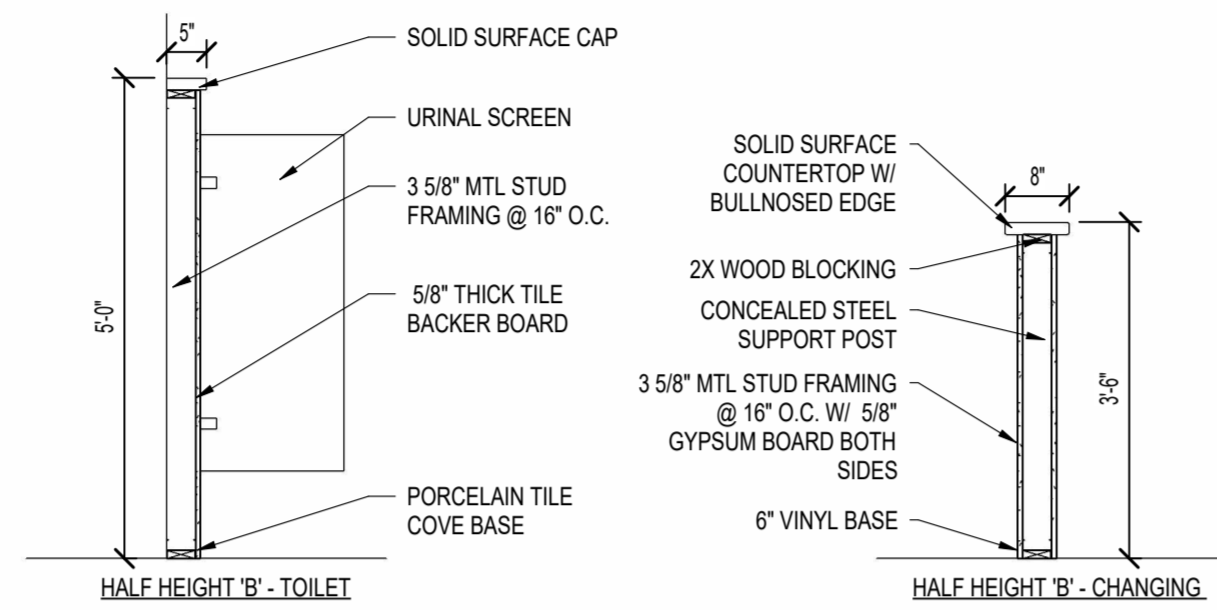
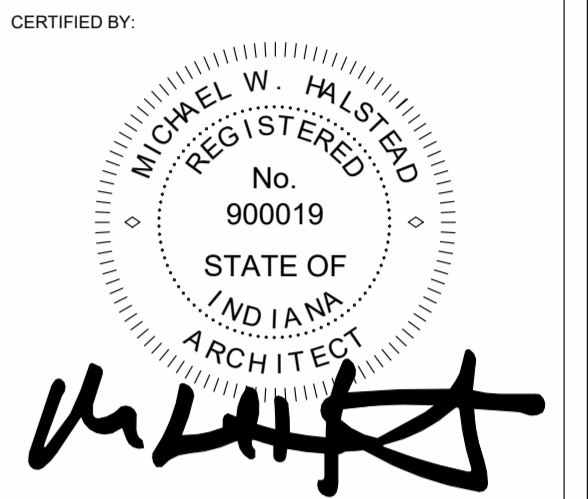
DRAWING ENLARGED PLANS

ISSUE
 CONSTRUCTION DOCUMENT SET - 5-11-26
 90% CDs - 5-5-26
 DESIGN DEVELOPMENT SET - 6-13-25

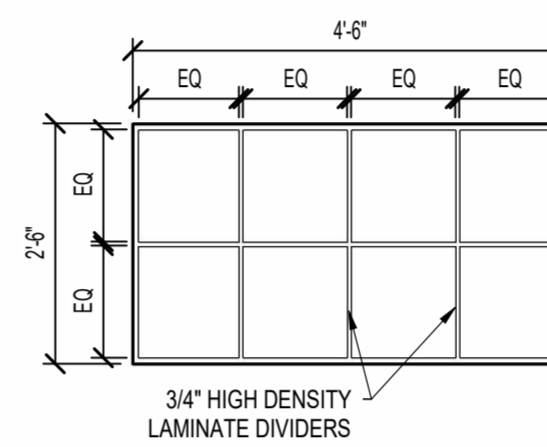
REVISIONS		
NO.	DESCRIPTION	DATE
1	Addendum #1	6-1-2026

PROJECT NUMBER 2339
 DATE MAY 11, 2026

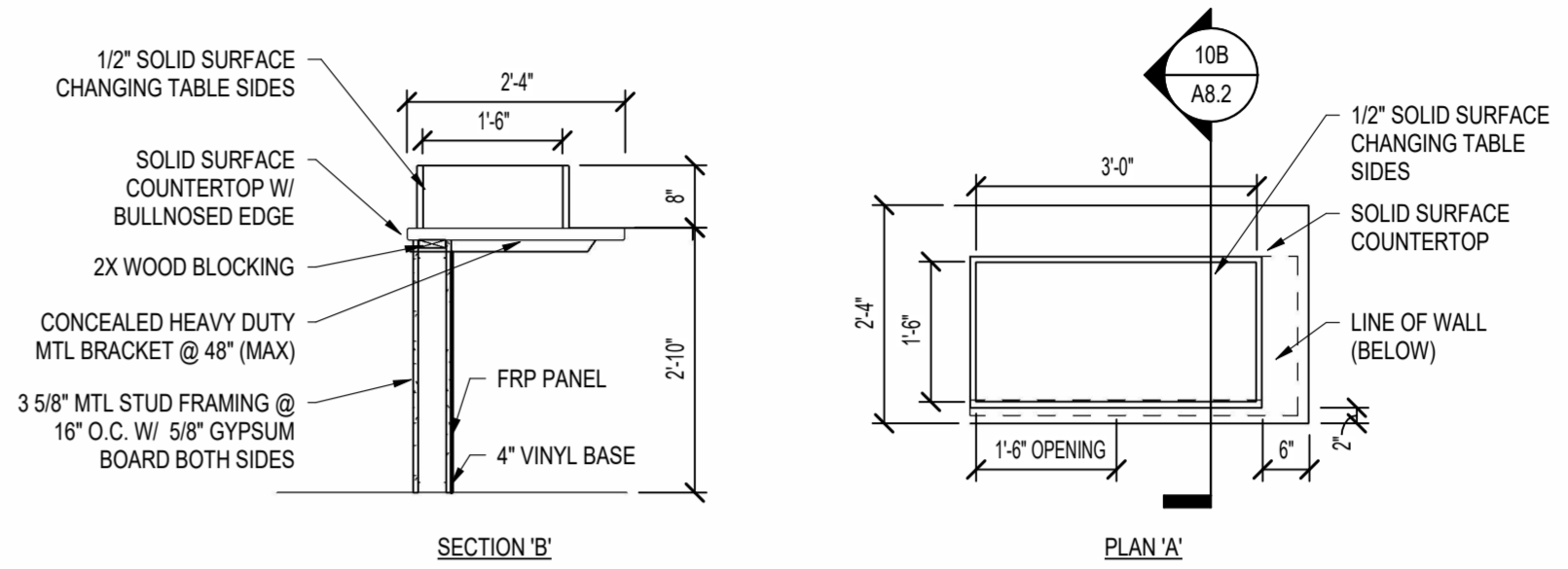
A8.1



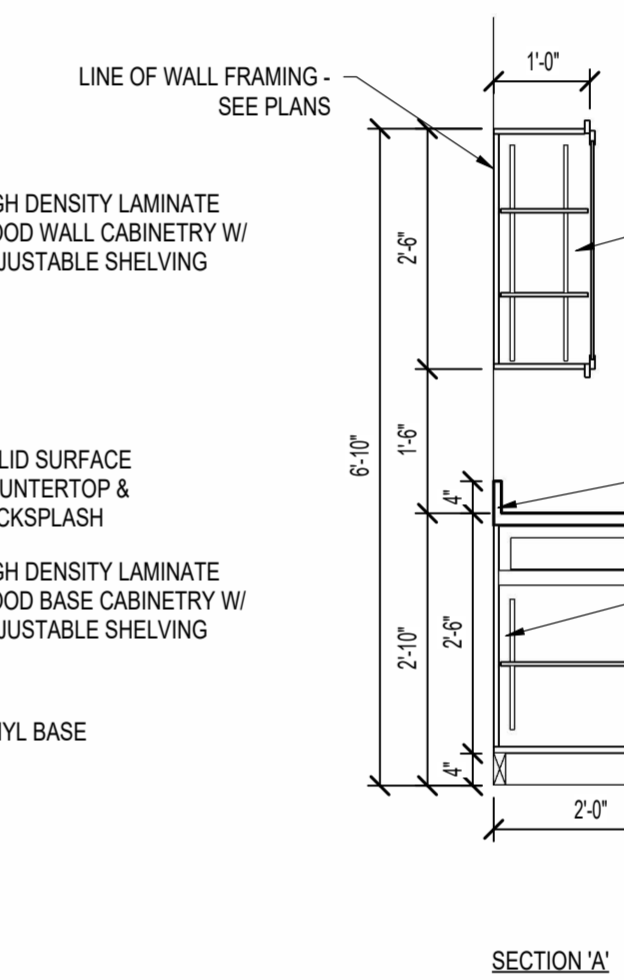
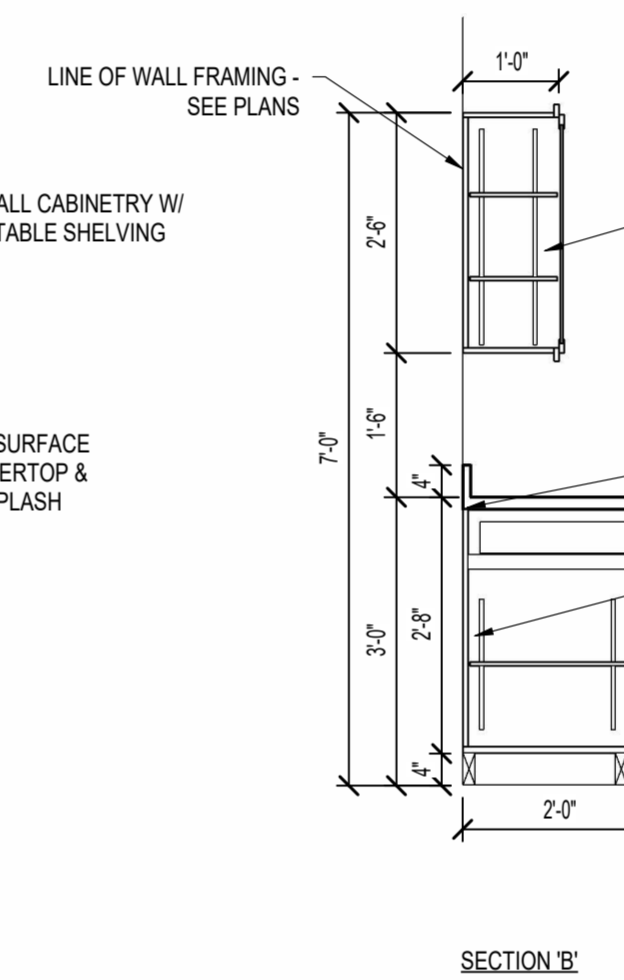
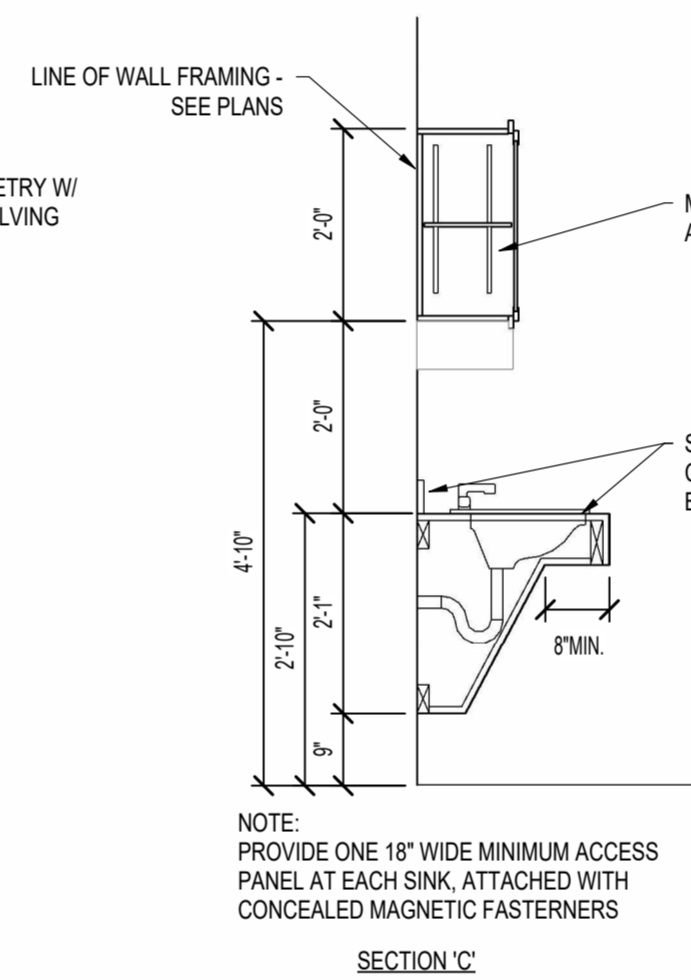
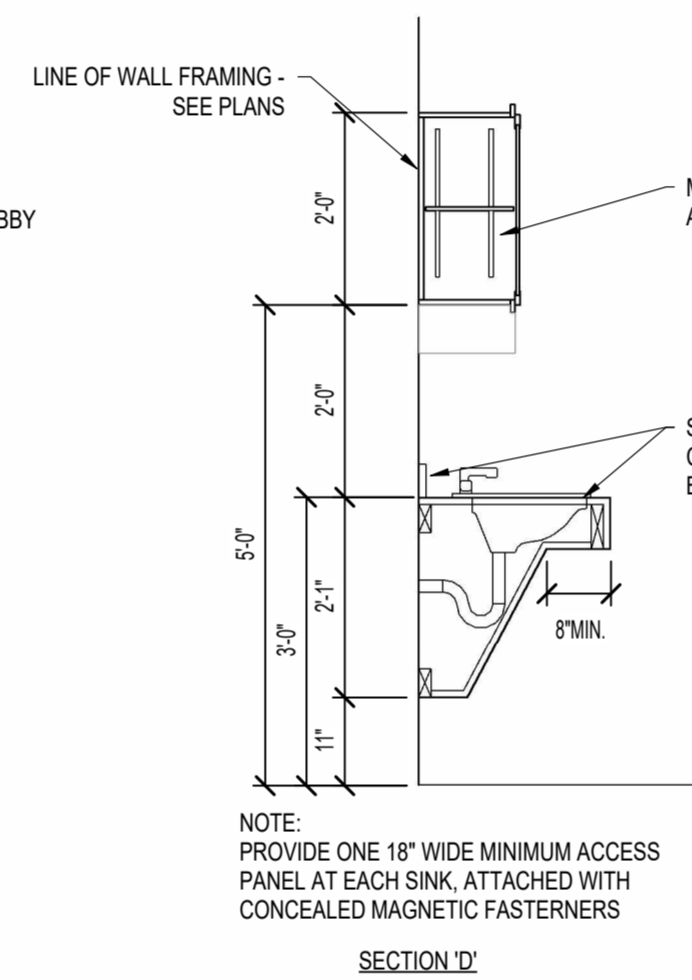
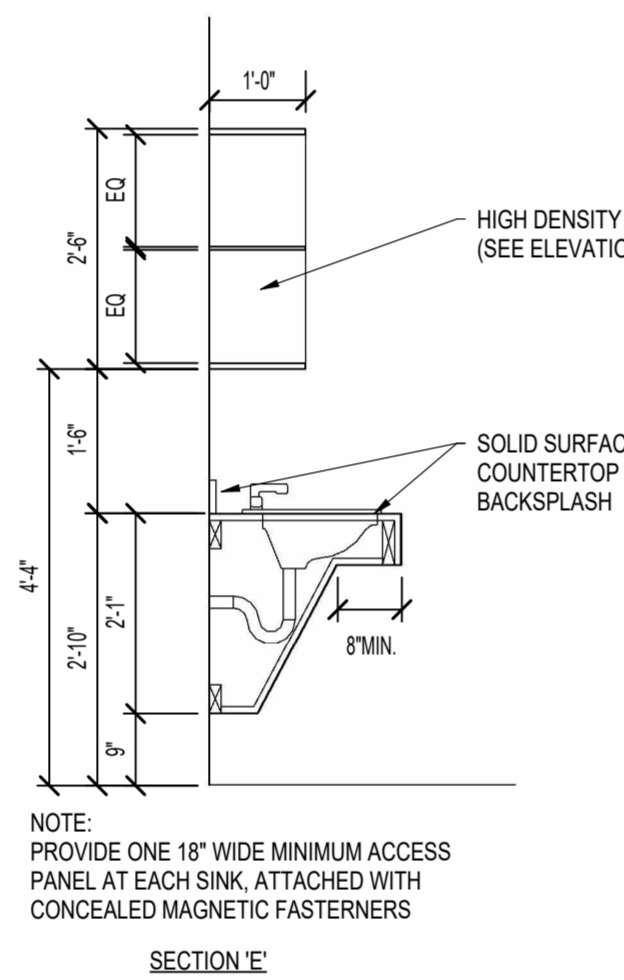
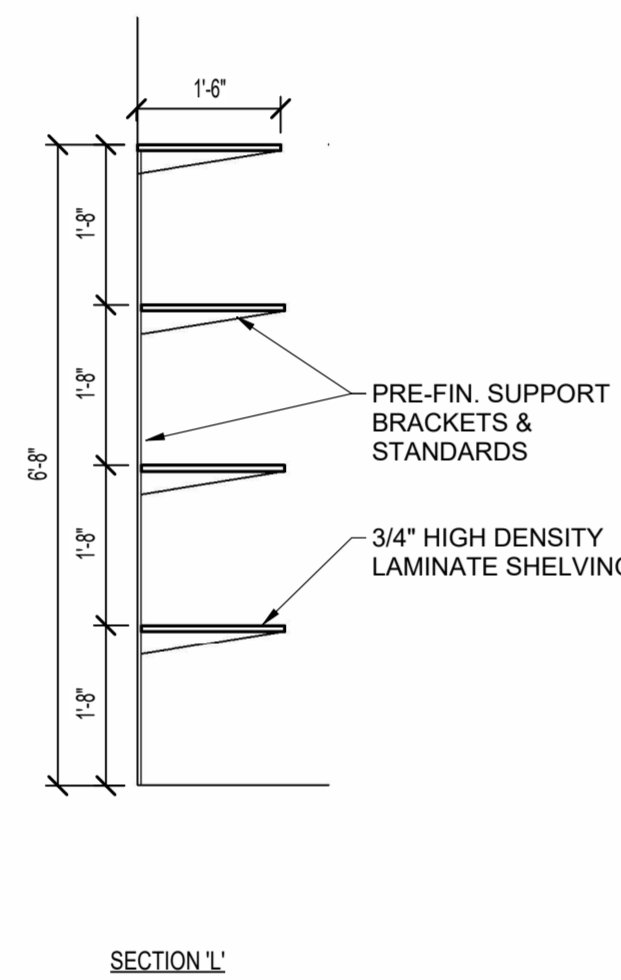
12 HALF HEIGHT WALL DETAIL
 SCALE: 1/2" = 1'-0"



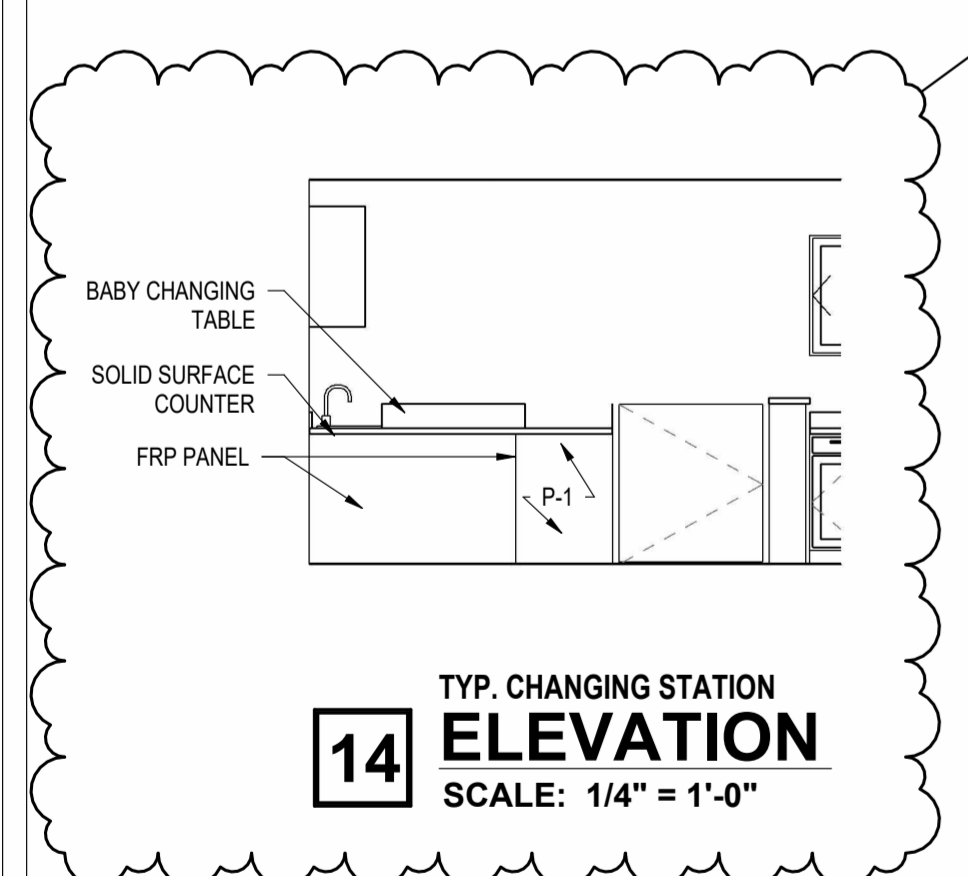
11 DIAPER CUBBY DETAILS
 SCALE: 1/2" = 1'-0"



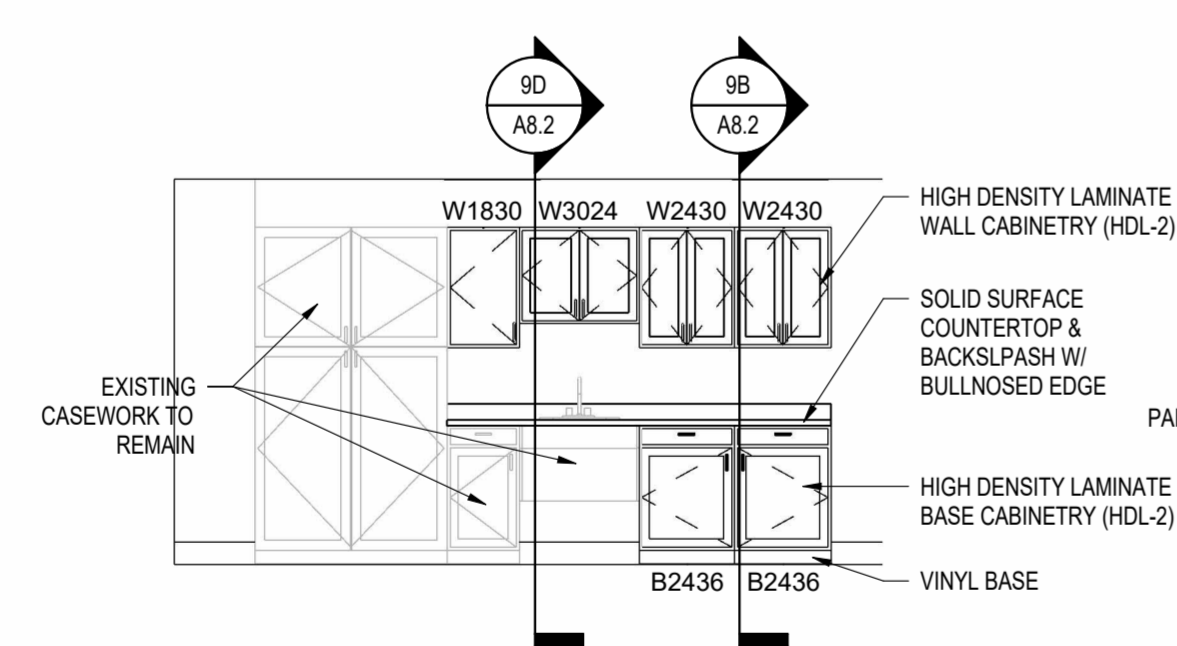
10 CHANGING TABLE DETAILS
 SCALE: 1/2" = 1'-0"



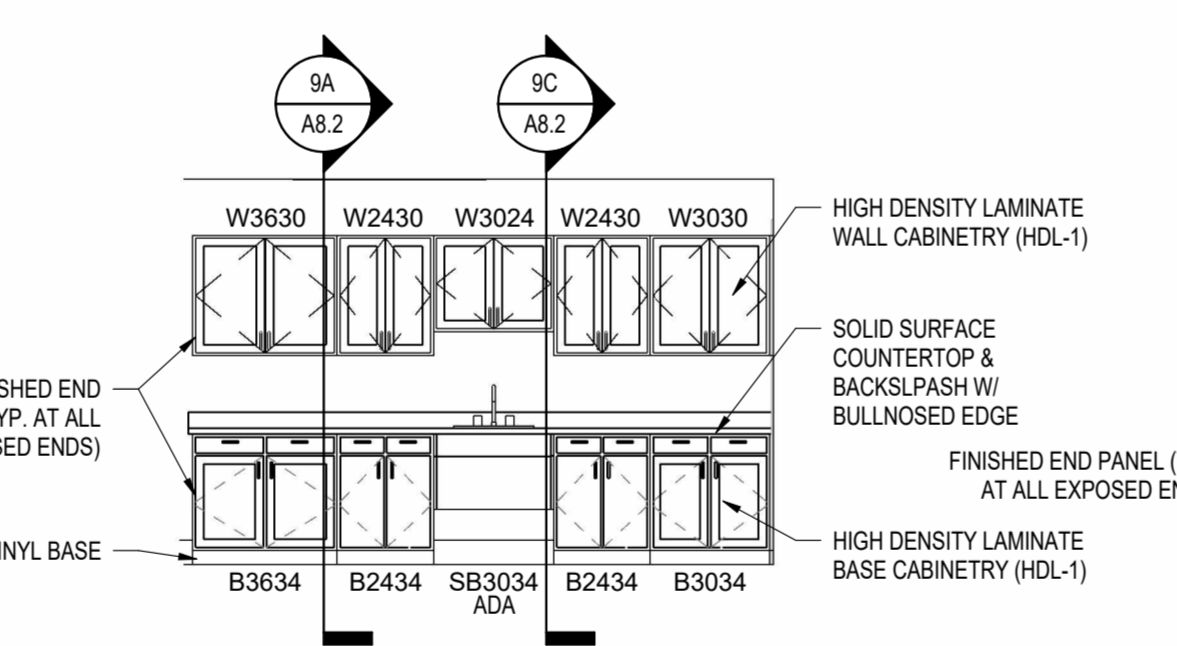
9 CASEWORK SECTIONS
 SCALE: 1/2" = 1'-0"



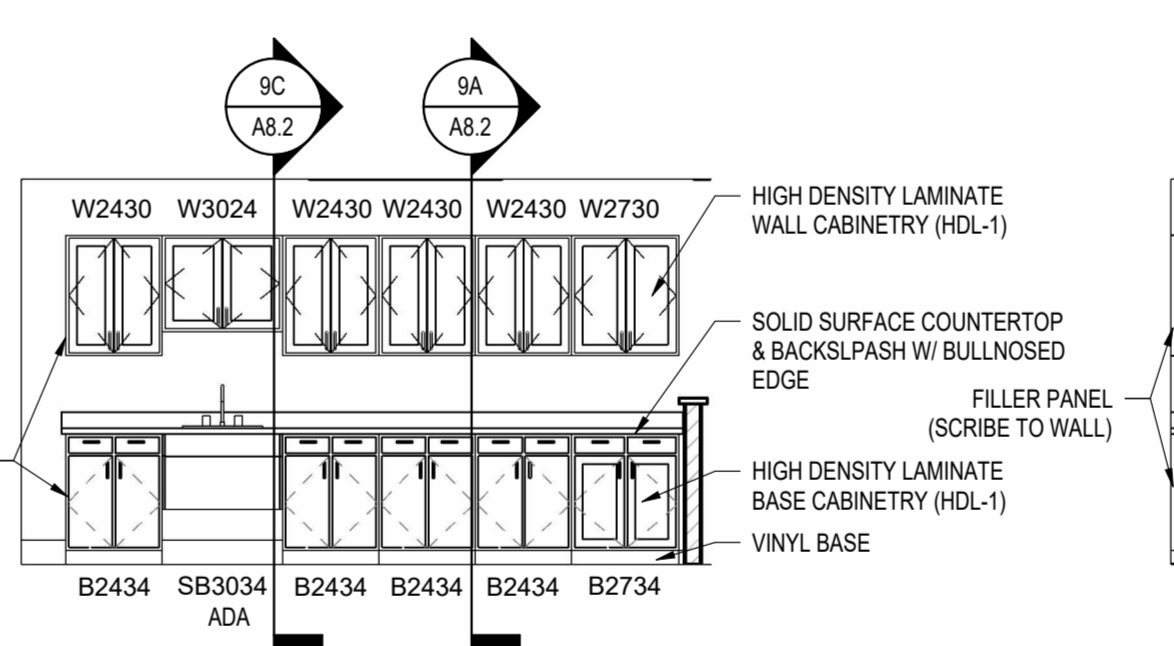
14 TYP. CHANGING STATION ELEVATION
 SCALE: 1/4" = 1'-0"



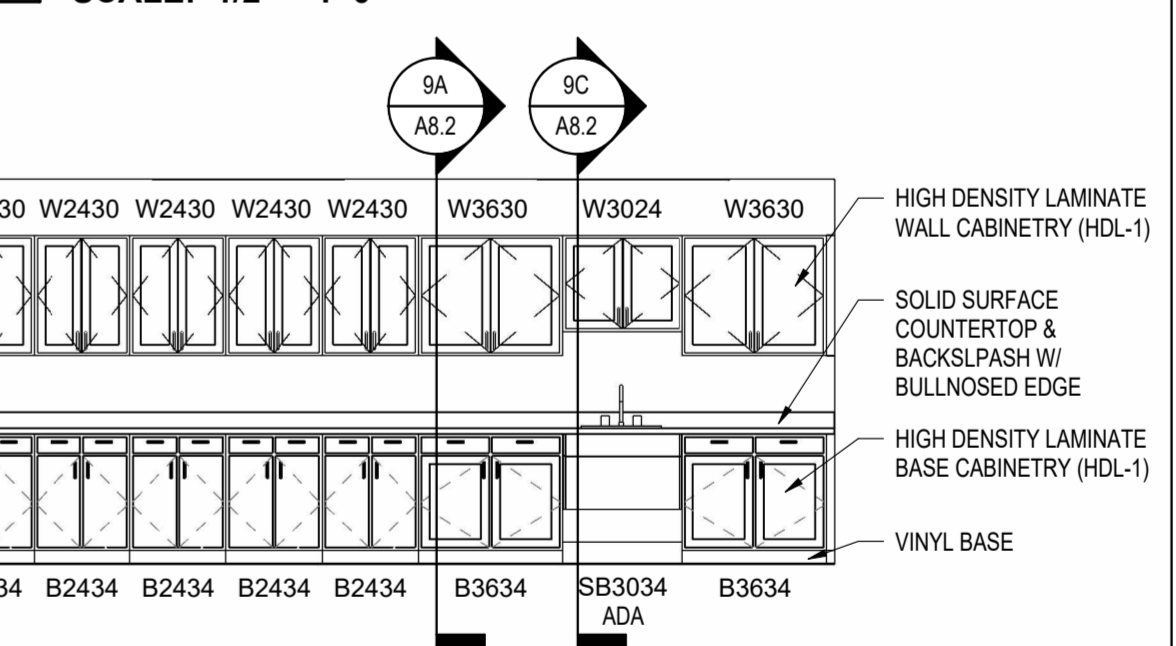
13 3-5 YEAR CLASSROOM CASEWORK ELEVATION
 SCALE: 1/4" = 1'-0"



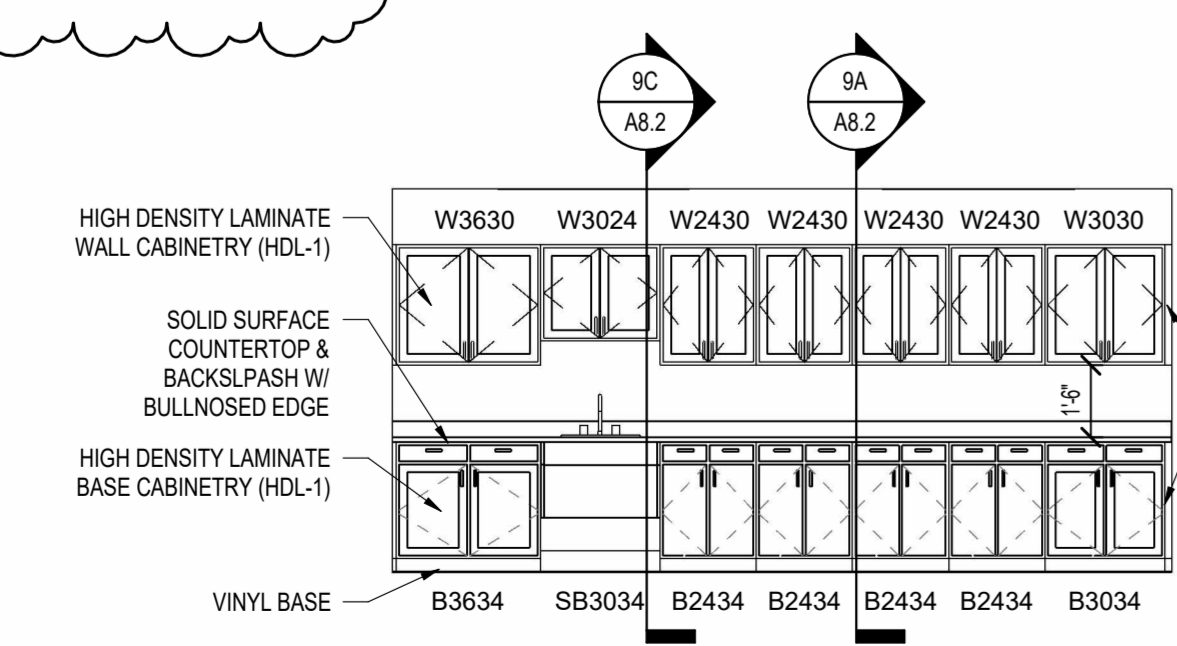
8 3-5 YEAR CLASSROOM 143 CASEWORK ELEVATION
 SCALE: 1/4" = 1'-0"



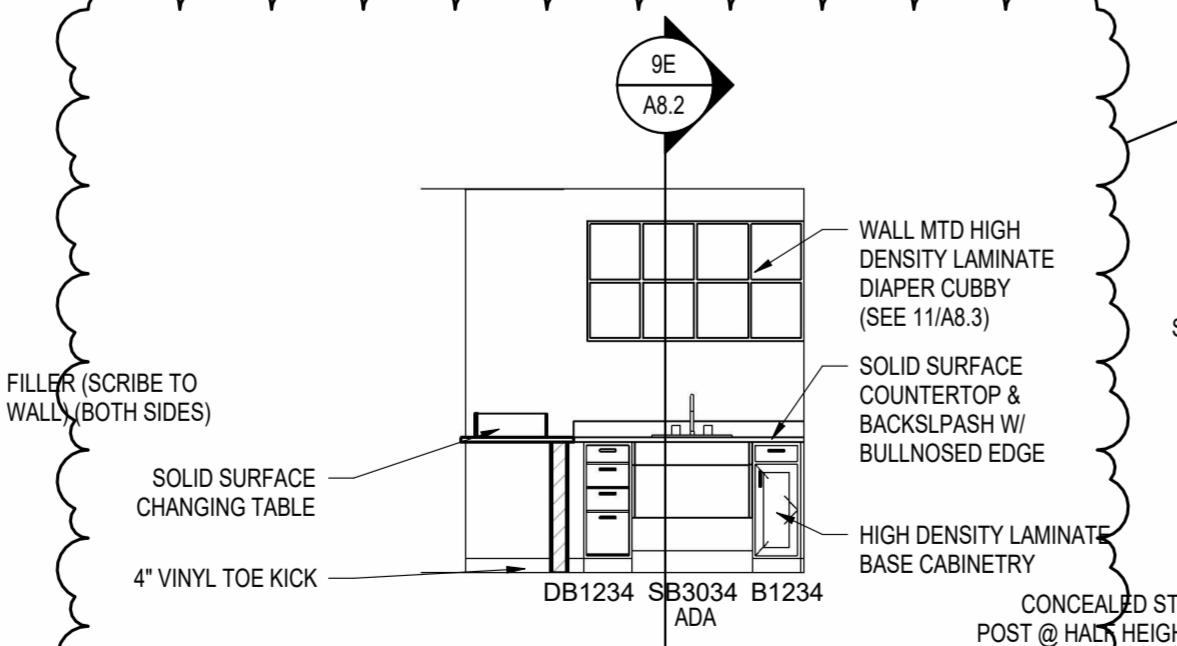
7 TWOS 137 CASEWORK ELEVATION
 SCALE: 1/4" = 1'-0"



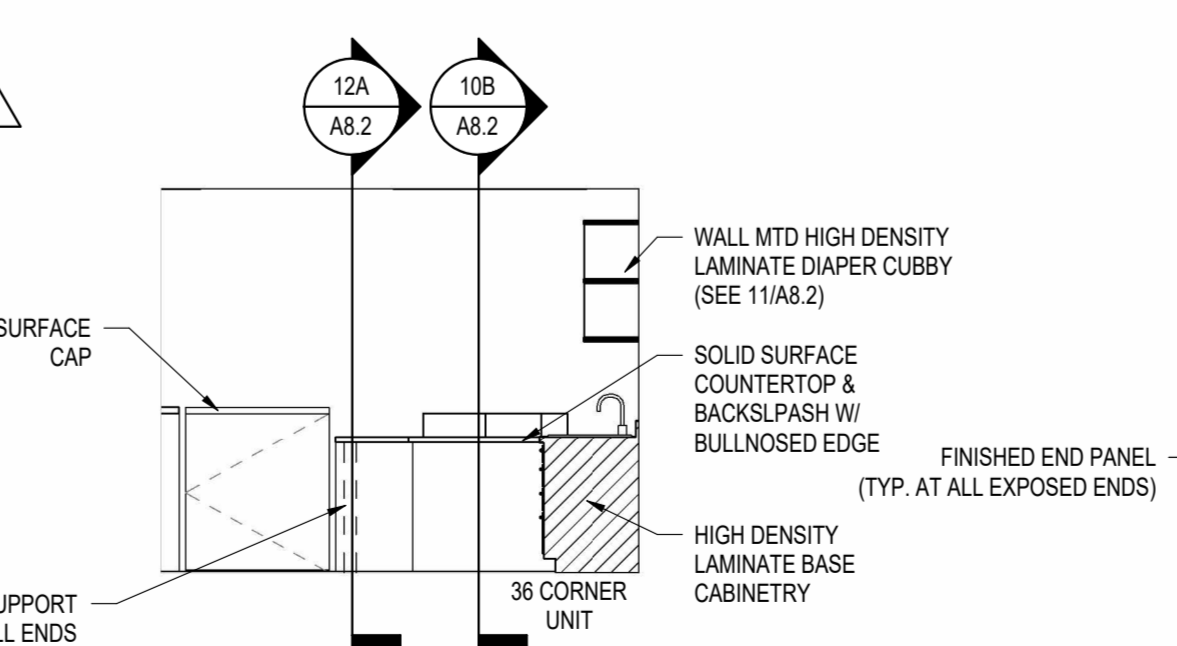
6 TODDLER 213 - ALT. #1 CASEWORK ELEVATION
 SCALE: 1/4" = 1'-0"



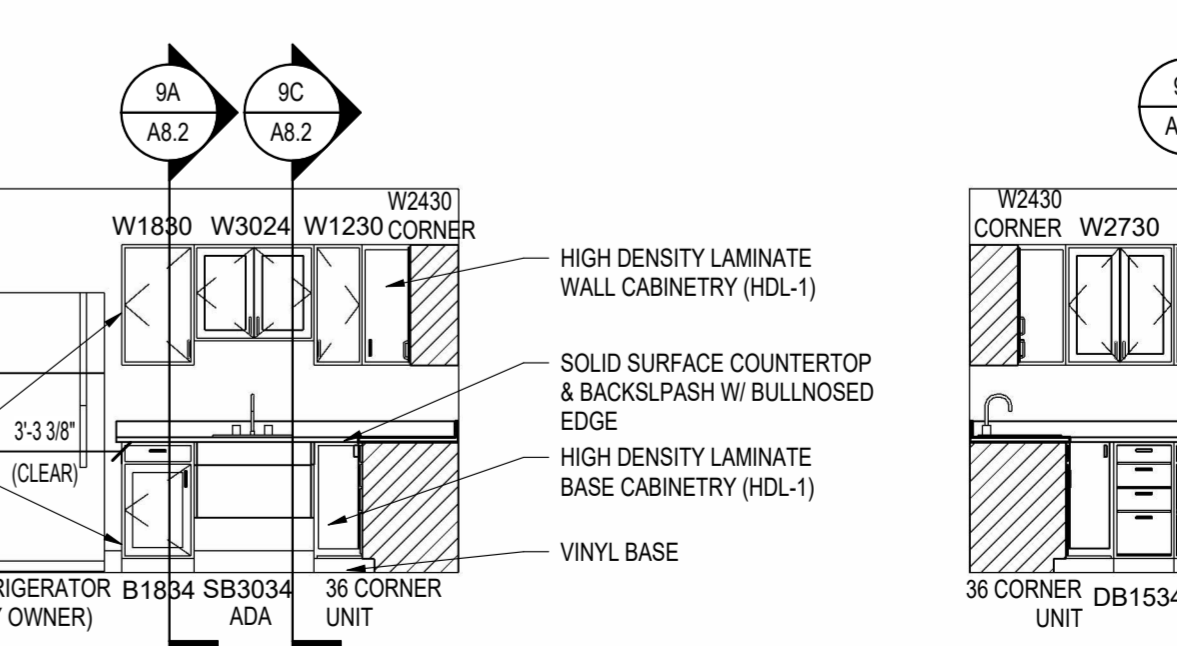
5 TODDLER 117 CASEWORK ELEVATION
 SCALE: 1/4" = 1'-0"



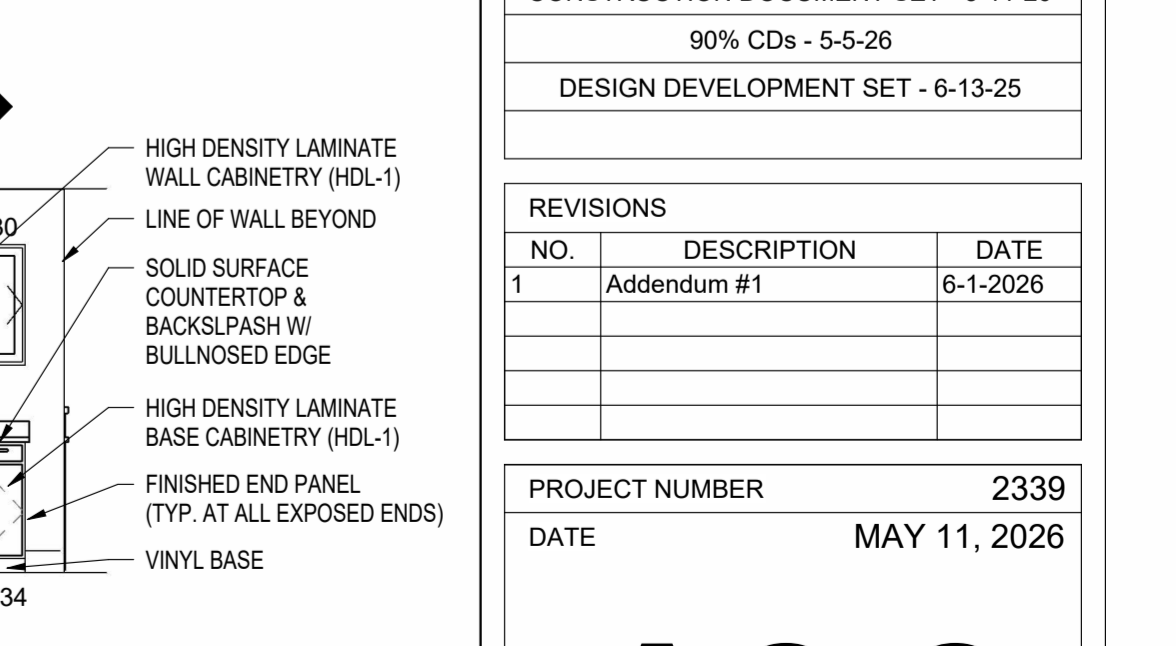
4 CHANGING (TYP) CASEWORK ELEVATION
 SCALE: 1/4" = 1'-0"



3 CHANGING (TYP) CASEWORK ELEVATION
 SCALE: 1/4" = 1'-0"



2 INFANTS 114 CASEWORK ELEVATION
 SCALE: 1/4" = 1'-0"



1 INFANTS 114 CASEWORK ELEVATION
 SCALE: 1/4" = 1'-0"

ERNIE PYLE EARLY CHILDHOOD CENTER
 72 E 1100 S
 CLINTON, IN 46782

DRAWING CASEWORK ELEVATIONS & SECTIONS

ISSUE
 CONSTRUCTION DOCUMENT SET - 5-11-26
 90% CDs - 5-5-26
 DESIGN DEVELOPMENT SET - 6-13-25

REVISIONS		
NO.	DESCRIPTION	DATE
1	Addendum #1	6-1-2026

PROJECT NUMBER 2339
 DATE MAY 11, 2026

A8.2



ADDENDUM #1

DATE: June 1, 2026

PROJECT: Ernie Pyle Early Childhood
72 E 1100 S
Clinton, IN 46782

ENGINEER: NEO Engineers, LLC.
1135 Shelby Street
Indianapolis, Indiana 46203
(317) 430-4128

The original Drawings and Project Manual, dated July 26, 2024, are amended as indicated herein. The information included in this Addendum shall become a part of the basic Drawings and Project Manual, the same as if originally incorporated therein. The original Drawings and Project Manual shall remain in their entirety, except as modified by this Addendum. The items herein supersede information in the Drawings and Project Manual

1. DRAWINGS

a. Mechanical

i. H2.1 FIRST FLOOR PLAN – HVAC

1. See changes to unit ventilator units.

ii. H8.1 HVAC SCHEDULES

1. See changes to Unit Ventilator Schedule.

2. See changes to Fan Coil Unit Schedule (4-Pipe).

b. Plumbing

i. P2.1 FIRST FLOOR PLAN – PLUMBING WASTE

1. See changes to location of alternate tags to uncover hidden Keynotes.

ii. P3.1 FIRST FLOOR PLAN – PLUMBING PIPING

2. See changes to location of alternate tags to uncover hidden pipe sizing.

2. CLARIFICATIONS



a. Electrical – Bid Questions/Answers

- i. Q. Please verify if an alternate installer for Schneider Electric under spec section 23 09 13.1.02. A. This was resolved via email with Hannig Construction. The answer was yes. Alpha Controls is an acceptable contractor for Schneider Electric.
- ii. Q. ES1.1 general scope notes has a list of fixtures. I'm just seeing 2X4 fixtures, no exits signs or emergency lights, please verify scope. A. Use ES1.1 for replacement fixture model numbers not shown on sheet E2.1.
- iii. Q. Note J on drawing DE4.2 calls for all circuit directories in existing panels to be updated upon completion of project. Please confirm this is the intent for every existing circuit throughout the building. A. Yes.
- iv. Q. Note A and K and DE4.2 leaves the extent of the required demo somewhat to interpretation. Please confirm if ALL systems not specifically called out on the install drawings are intended to be removed from the facility, or just the systems that will be used by the owner. If the latter of the two options prevails, please confirm which existing systems will no longer be used and need removed. A. Remove systems that will not be used by the Owner or relocated as plan noted.
- v. Q. Some classrooms have existing projector and screens, should these remain? A. Yes.

b. Mechanical

- i. None.

c. Plumbing

- i. Q. On P2.1 and most of the plumbing drawings there are "ALT" markings covering up notes. Can you please reissue plans so the notes are visible? Want to make sure that we are clear on the intent of the notes. A. We are reissuing P2.1 and P3.1 as requested with "ALT" tags moved to disclose notes or pipe sizing.

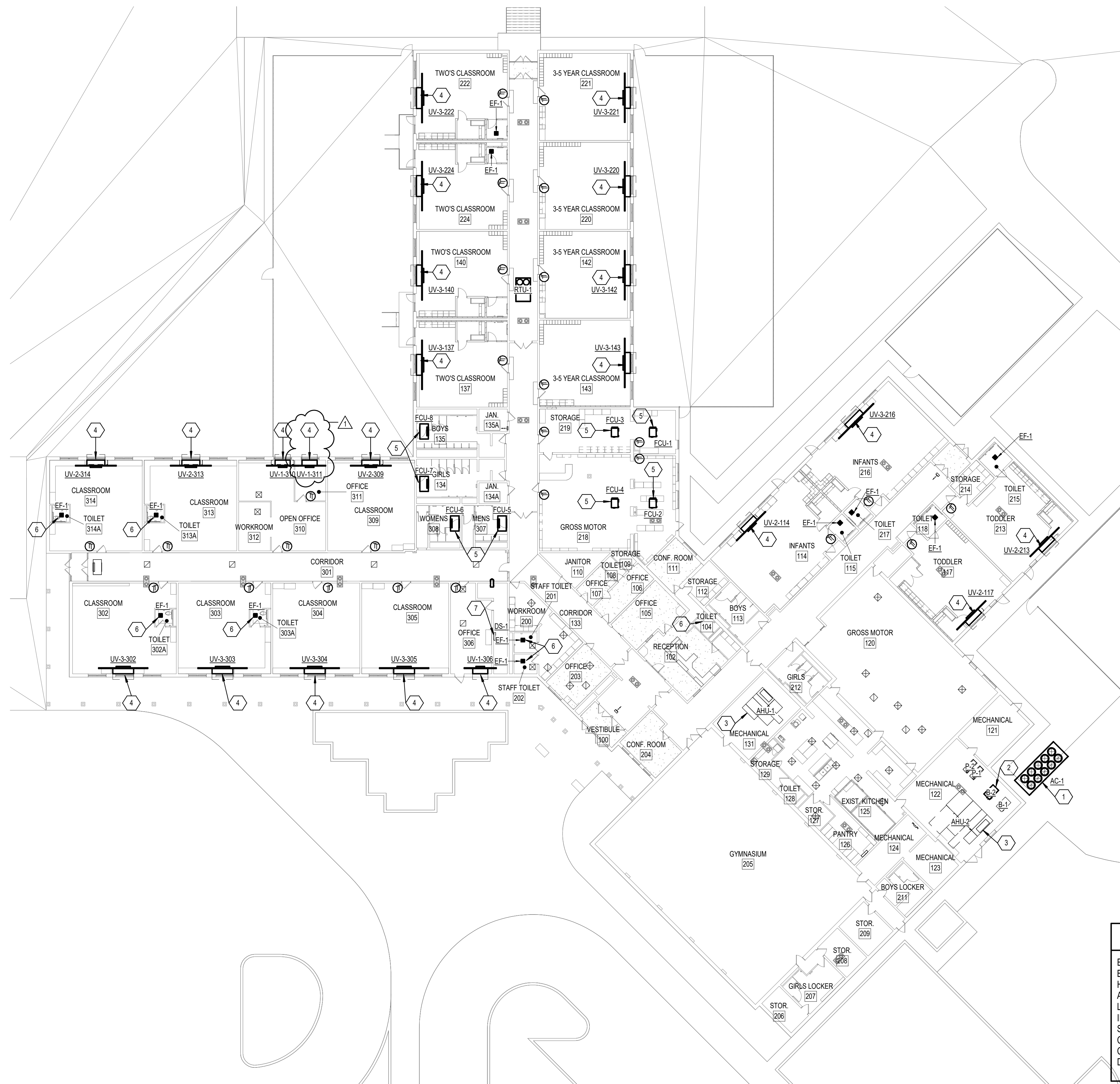
d. General

- i. Is there any scope architecturally regarding the fan coil units? (ex. rework of walls, masonry, louvers, millwork, etc.?) A. The unit ventilators replacing the existing are of similar sizing. No modifications are expected. See updated sheet H8.1

ATTACHMENTS

H2.1, H8.1, P2.1, P3.1.

END OF ADDENDUM #1



GENERAL SHEET NOTES

- A. SEE SHEET H0.1 FOR MECHANICAL SYMBOLS AND ABBREVIATIONS.
- B. SEE SHEET H8.1 FOR MECHANICAL SCHEDULES.
- C. MECHANICAL CONTRACTOR SHALL PROVIDE ALL REQUIRED LABOR, MATERIAL, EQUIPMENT AND CONTRACTOR SERVICES NECESSARY FOR A COMPLETE INSTALLATION OF THE SYSTEMS REQUIRED IN FULL CONFORMITY WITH ALL APPLICABLE CODES AND ORDINANCES. FINISHED PROJECT SHALL BE FUNCTIONAL AND COMPLETE IN EVERY DETAIL INCLUDING ANY AND ALL SUB-CONTRACTED ITEMS.
- D. MECHANICAL CONTRACTOR WILL BEAR ANY COST ARISING IN CORRECTING ANY NON-COMPLIANCE WITH REQUIREMENTS OF APPLICABLE CODES.
- E. MECHANICAL CONTRACTOR SHALL COORDINATE SUPPLY REGISTERS, RETURN AIR GRILLS, ETC. TO AVOID CONFLICT OF ITEMS WITH OTHERS TRADES. REFER TO ARCHITECTURAL REFLECTED CEILING PLANS.
- F. VENTS FOR EQUIPMENT INSTALLED BY MECHANICAL CONTRACTOR SHALL BE FURNISHED AND INSTALLED BY THIS CONTRACTOR. VENTS SHALL BE CLASS 'B' AND MEET ALL APPLICABLE CODES.
- G. BRANCH DUCTWORK RUNOUTS TO DIFFUSERS SHALL MATCH THE INLET SIZE OF THE DIFFUSERS, UNLESS NOTED OTHERWISE.
- H. REFER TO ARCHITECT'S REFLECTED CEILING PLAN FOR FINAL LOCATION OF AIR OUTLETS AND INLETS. ADJUST BRANCH DUCTWORK AS REQUIRED.
- I. SEE MECHANICAL DETAILS ON SHEETS H8.1.
- J. DESIGN INTENT IS FOR THE MECHANICAL CONTRACTOR TO PROVIDE A NEW BUILDING AUTOMATION SYSTEM PER PLANS AND SPECIFICATIONS.

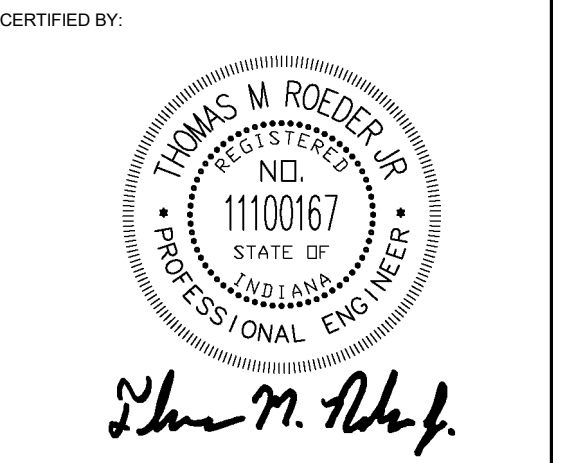
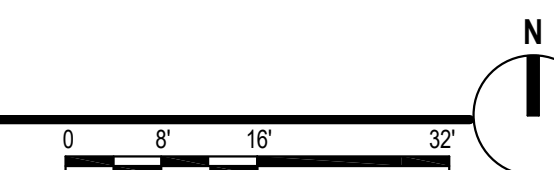
SHEET KEYNOTES

- 1. INSTALL NEW AIR COOLED CHILLER AND CONNECT TO EXISTING CHILLED WATER PIPING. MODIFY STRUCTURAL BASE AS REQUIRED.
- 2. INSTALL NEW PROPANE GAS HEATING HOT WATER BOILER AND CONNECT TO EXISTING HEATING HOT WATER PIPING.
- 3. EXISTING HYDRONIC AIR HANDLING UNIT TO REMAIN.
- 4. INSTALL NEW UNIT VENTILATOR AND CONNECT TO EXISTING CHILLED WATER AND HEATING HOT WATER PIPING.
- 5. INSTALL NEW HYDRONIC FAN COIL UNIT AND CONNECT TO EXISTING CHILLED WATER AND HEATING HOT WATER PIPING.
- 6. INSTALL NEW EXHAUST FAN AND CONNECT TO EXISTING DUCTWORK.
- 7. INSTALL NEW DUCTLESS SPLIT HIGH WALL UNIT AND LINESET.

FIELD VERIFY

EXISTING HVAC EQUIPMENT WAS OBTAINED FROM SIMILAR BUILDING DRAWINGS AND CURSORY FIELD OBSERVATION, HOWEVER, ACTUAL "AS-BUILT" DRAWINGS WERE NOT AVAILABLE. CERTAIN INFORMATION CONCERNING THE LOCATION OF THE EXISTING HVAC WORK MUST BE VERIFIED IN THE FIELD TO DETERMINE THE EXACT LOCATIONS, DEPTH, SIZE, ETC. PRIOR TO STARTING CONSTRUCTION. ANY CONFLICT BETWEEN THESE PLANS AND THE ACTUAL CONDITIONS SHALL BE REPORTED IMMEDIATELY TO THE DESIGN TEAM FOR VERIFICATION AND/OR CORRECTION.

1 FIRST FLOOR PLAN - HVAC
1" = 20'-0"



ERNIE PYLE EARLY CHILDHOOD
 72 E 1100 S
 CLINTON, IN 46782

DRAWING
FIRST FLOOR PLAN - HVAC

ISSUE
90% CONSTRUCTION SET - 05/05/2026
PERMIT SET - 05/11/2026

REVISIONS		
NO.	DESCRIPTION	DATE
1	Addendum #1	6/1/2026

PROJECT NUMBER 23073
DATE 8/10/23

H2.1

UNIT VENTILATOR SCHEDULE

UNIT ID	CONFIGURATION	SUPPLY FAN DATA								HYDRONIC HEATING COIL DATA								HYDRONIC COOLING COIL DATA								FILTER DATA		UNIT WEIGHT (LBS)	MANUFACTURER WITH MODEL NUMBER	NOTES		
		CFM	ESP	RPM	DRIVE TYPE	HP	VOLTS	PHASE	MCA	MIN MBH	EAT	LAT	ROWS	FINS/INCH	EWT	GPM	MAX WPD	TOTAL MBH	SENS MBH	EAT DB	WB	LAT DB	WB	ROWS	FINS/INCH	EWT	GPM				MAX WPD	TYPE
UV-1-306	CONSOLE	493	0		DIRECT	1/4	277	1	3.9	25.0	50.4	97.2	1	12	160	2.00	0.61	15.0	8.4	79.4	66.6	63.7	57.1	3	12	44.0	3.18	7.56	MERV 7	370	DAIKIN: UAVS9S07	1,2,3
UV-1-310	CONSOLE	786	0		DIRECT	1/4	277	1	3.9	30.7	61.2	97.2	1	12	160	2.00	0.64	20.9	13.3	76.2	64.3	60.6	55.3	3	12	44.0	4.42	5.99	MERV 7	370	DAIKIN: UAVS9S13	1,2,3
UV-1-311	CONSOLE	748	0		DIRECT	1/4	277	1	3.9	27.3	63.2	96.8	1	12	160	2.00	0.61	14.8	10.0	75.6	63.7	63.3	57.3	3	12	44.0	3.12	4.77	MERV 7	370	DAIKIN: UAVS9S07	1,2,3
UV-2-114	CONSOLE	1192	0		DIRECT	1/4	277	1	3.9	50.91	42.2	81.3	1	12	160	2.83	1.3	34.3	22.5	82	67.8	64.6	59.0	3	12	44.0	7.37	10.92	MERV 7	445	DAIKIN: UAVS9S13	1,2,3
UV-2-117	CONSOLE	930	0		DIRECT	1/4	277	1	3.9	46.1	43.1	88.8	1	12	160	2.83	1.42	34.4	20.5	81.5	67.5	61.2	55.6	3	12	44.0	7.29	12.77	MERV 7	445	DAIKIN: UAVS9S15	1,2,3
UV-2-213	CONSOLE	930	0		DIRECT	1/4	277	1	3.9	46.1	43.1	88.8	1	12	160	2.83	1.42	34.4	20.5	81.5	67.5	61.2	55.6	3	12	44.0	7.29	12.77	MERV 7	445	DAIKIN: UAVS9S15	1,2,3
UV-2-309	CONSOLE	1192	0		DIRECT	1/4	277	1	3.9	61.3	37.7	85.1	1	12	160	4.03	2.62	38.7	25.5	83.0	68.2	63.3	58.3	3	12	44.0	8.2	11.96	MERV 7	445	DAIKIN: UAVS9S13	1,2,3
UV-2-313	CONSOLE	906	0		DIRECT	1/4	277	1	3.9	48.7	40.9	90.4	1	12	160	3.43	1.90	33.0	20.3	82.1	67.8	61.4	56.1	3	12	44.0	6.99	11.39	MERV 7	445	DAIKIN: UAVS9S13	1,2,3
UV-2-314	CONSOLE	926	0		DIRECT	1/4	277	1	3.9	49.2	41.6	90.6	1	12	160	3.47	1.94	31.3	19.0	81.9	67.6	63.0	57.2	3	12	44.0	6.62	10.01	MERV 7	445	DAIKIN: UAVS9S13	1,2,3
UV-3-137	CONSOLE	1113	0		DIRECT	1/4	277	1	3.9	51.8	41.6	84.5	1	12	160	2.87	1.46	37.0	22.5	79.3	66.2	60.7	55.2	3	12	44.0	7.84	10.57	MERV 7	525	DAIKIN: UAVS9S15	1,2,3
UV-3-140	CONSOLE	1113	0		DIRECT	1/4	277	1	3.9	49.4	49.9	90.8	1	12	160	3.04	1.64	36.8	22.4	79.2	66.1	60.6	55.2	3	12	44.0	7.78	10.41	MERV 7	525	DAIKIN: UAVS9S15	1,2,3
UV-3-142	CONSOLE	1192	0		DIRECT	1/4	277	1	3.9	45	53.9	88.7	1	12	160	2.69	1.17	32.4	21.9	78.2	65.5	61.3	56.5	3	12	44.0	6.85	8.35	MERV 7	525	DAIKIN: UAVS9S13	1,2,3
UV-3-143	CONSOLE	747	0		DIRECT	1/4	277	1	3.9	32	53.9	93.4	1	12	160	2.65	1.09	22.0	14.9	78.4	65.7	60.0	56.0	3	12	44.0	4.66	8.83	MERV 7	525	DAIKIN: UAVS9S07	1,2,3
UV-3-216	CONSOLE	1192	0		DIRECT	1/4	277	1	3.9	52.9	48.9	89.8	1	12	160	3.58	2.07	33.8	22.4	78.8	66.1	61.5	57.2	3	12	44.0	7.16	9.14	MERV 7	525	DAIKIN: UAVS9S13	1,2,3
UV-3-220	CONSOLE	1192	0		DIRECT	1/4	277	1	3.9	45	53.9	88.7	1	12	160	2.69	1.17	32.4	21.9	78.2	65.5	61.3	56.5	3	12	44.0	6.85	8.35	MERV 7	525	DAIKIN: UAVS9S13	1,2,3
UV-3-221	CONSOLE	1192	0		DIRECT	1/4	277	1	3.9	45.6	54.0	89.3	1	12	160	2.80	1.27	32.1	21.7	77.9	65.4	61.2	56.5	3	12	44.0	6.8	8.22	MERV 7	525	DAIKIN: UAVS9S13	1,2,3
UV-3-222	CONSOLE	1083	0		DIRECT	1/4	277	1	3.9	47.5	51.0	91.4	1	12	160	2.93	1.52	35.8	21.8	78.9	65.9	60.3	54.9	3	12	44.0	7.58	14.54	MERV 7	525	DAIKIN: UAVS9S15	1,2,3
UV-3-224	CONSOLE	1083	0		DIRECT	1/4	277	1	3.9	46.8	50.7	90.5	1	12	160	2.81	1.40	35.0	21.9	78.9	65.5	60.3	54.7	3	12	44.0	7.4	13.84	MERV 7	525	DAIKIN: UAVS9S15	1,2,3
UV-3-302	CONSOLE	1113	0		DIRECT	1/4	277	1	3.9	54	49.8	94.5	1	12	160	3.67	2.39	39.2	22.8	79.8	67.0	60.9	55.6	3	12	44.0	8.29	11.77	MERV 7	525	DAIKIN: UAVS9S15	1,2,3
UV-3-303	CONSOLE	1113	0		DIRECT	1/4	277	1	3.9	51.4	50.5	93.1	1	12	160	3.36	2.01	38.3	22.4	79.3	66.7	60.7	55.5	3	12	44.0	8.10	11.26	MERV 7	525	DAIKIN: UAVS9S15	1,2,3
UV-3-304	CONSOLE	1113	0		DIRECT	1/4	277	1	3.9	50.5	50.9	92.7	1	12	160	3.26	1.89	38.0	22.4	79.2	66.6	60.7	55.4	3	12	44.0	8.04	11.10	MERV 7	525	DAIKIN: UAVS9S15	1,2,3
UV-3-305	CONSOLE	1113	0		DIRECT	1/4	277	1	3.9	50.1	50.7	92.2	1	12	160	3.19	1.81	37.3	21.9	78.6	66.4	60.5	55.4	3	12	44.0	7.90	10.72	MERV 7	525	DAIKIN: UAVS9S15	1,2,3

UNIT VENTILATOR SCHEDULE NOTES:

1. PROVIDE LOW LEAK OUTDOOR AIR DAMPER.
2. VERIFY LEFT OR RIGHT HAND PIPING AND FILTER ACCESS ORIENTATION WITH EXISTING PIPING PRIOR TO SUBMITTAL OF PRODUCT.
3. PROVIDE TWO SETS OF FILTERS.

FAN COIL UNIT SCHEDULE (4-PIPE)

UNIT ID	CONFIGURATION	SUPPLY FAN DATA								HYDRONIC HEATING COIL SELECTION DATA								HYDRONIC COOLING COIL SELECTION DATA								FILTER DATA		UNIT WEIGHT (LBS)	MANUFACTURER WITH MODEL NUMBER	NOTES			
		CFM	ESP	RPM	DRIVE	HP	VOLTS	PHASE	MBH	EAT	LAT	ROWS	FINS/INCH	EWT	GPM	MAX WPD	TOTAL MBH	SENS MBH	EAT DB	WB	LAT DB	WB	ROWS	FINS/INCH	EWT	GPM	MAX WPD				TYPE	EFF	
FCU-1	HORIZONTAL RECESSED	300	0		DIRECT	1/2 5	277	1	10.3	51.0	80.1				180	1.5	7.54	11.54	7.8	79.4	67.7	55.7	55.5	4		44	4	8.55	MERV 4	MERV 4	124	DAIKIN: FCHR-204A	1,2,3
FCU-2	HORIZONTAL RECESSED	728	0		DIRECT	1/1 2	277	1	27.6	40.8	75.9				180	3.5	15.32	27.9	19.9	80.8	67.6	55.8	55.4	4		44	9	17.12	MERV 4	MERV 4	184	DAIKIN: FCHR-210A	1,2,3
FCU-3	HORIZONTAL RECESSED	286	0		DIRECT	1/2 0	277	1	10.3	51.0	80.1				180	1.2	4.25	10.5	7.2	79.4	66.7	56.3	56.1	4		44	4	7.54	MERV 4	MERV 4	110	DAIKIN: FCHR-203A	1,2,3
FCU-4	HORIZONTAL RECESSED	728	0		DIRECT	1/1 2	277	1	27.6	40.8	75.9				180	2.8	10.04	27.9	19.9	80.8	67.6	55.8	55.4	4		44	9	17.12	MERV 4	MERV 4	184	DAIKIN: FCHR-210A	1,2,3
FCU-5																																	
FCU-6																																	
FCU-7																																	
FCU-8																																	

FAN COIL UNIT SCHEDULE NOTES:

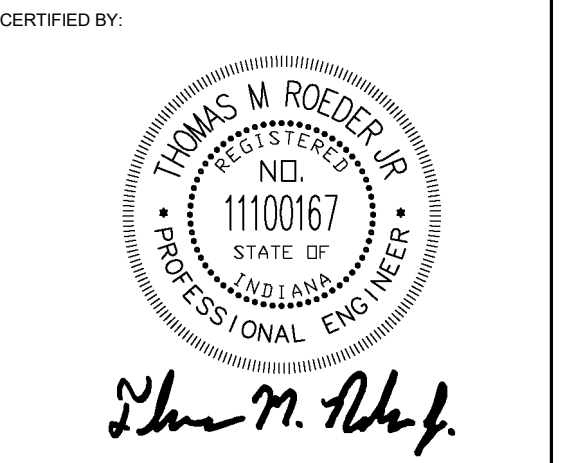
1. LOW LEAK OUTDOOR AIR DAMPER.
2. VERIFY LEFT OR RIGHT HAND PIPING AND FILTER ACCESS ORIENTATION WITH EXISTING PIPING PRIOR TO SUBMITTAL OF PRODUCT.
3. PROVIDE TWO SETS OF FILTERS.

PROPANE ROOFTOP UNIT SCHEDULE

UNIT ID	NOMINAL TONS	SUPPLY FAN DATA		FAN DATA		MOTOR DATA			COOLING DATA						NATURAL GAS HEATING DATA						ELECTRICAL DATA			FILTER DATA		UNIT WEIGHT (LBS)	MANUFACTURER WITH MODEL NUMBER	NOTES						
		AIR FLOW	ESP	MIN OA	RPM	BHP	DRIVE	RPM	HP	TOTAL MBH	SENS MBH	EAT		LAT		MAX AMB TEMP	MIN AMBIENT TEMP	MIN SEER	GROSS INPUT	MIN AFUE%	EAT	STAGES	1ST STAGE		2ND STAGE				MCA	VOLTS	PHASE	TYPE	EFF	
													DB	WB	DB	WB								OUTPUT	RISE				OUTPUT	RISE				
RTU-1	4	1600		289					35.1	27.2	78.2	65.4	56.6	55.4	95	-10							34.7				460	3			TRANE: YSC048G4EHB005D	1		
RTU-2	4	1614		606					63.4	44.2	80.6	67.0	55.4	54.3	95	-10							59.6				460	3			TRANE: YSC048G4EHB005D	1		

ROOFTOP UNIT SCHEDULE NOTES:

1. ROOFTOP UNIT FURNISHED BY OWNER AND INSTALLED BY MECHANICAL CONTRACTOR.



ERNIE PYLE EARLY CHILDHOOD
 72 E 1100 S
 CLINTON, IN 46782

DRAWING
HVAC SCHEDULES

ISSUE
90% CONSTRUCTION SET - 05/05/2026
PERMIT SET - 05/11/2026

REVISIONS		
NO.	DESCRIPTION	DATE
1	Addendum #1	6/1/2026

PROJECT NUMBER 23073
DATE 8/10/23

H8.1



GENERAL SHEET NOTES

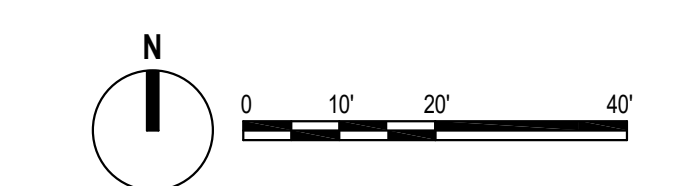
- A. REFERENCE SHEET P0.1 FOR PLUMBING SYMBOLS, LEGENDS, ABBREVIATIONS AND ADDITIONAL GENERAL NOTES.
- B. SEE P8 X SHEETS FOR PLUMBING SCHEDULES.
- C. ALL PIPING SHOWN ON DRAWINGS IS DIAGRAMATIC. ADDITIONAL OFFSETS, WHICH MAY BE REQUIRED, SHALL BE PROVIDED BY THIS CONTRACTOR.
- D. PIPE LINES ARE SHOWN WITH WIDE SEPERATION FOR CLEAR IDENTIFICATION PURPOSES ONLY. MAINTAIN A TIGHT AND ORDERLY GROUPING OF PIPES FOR EACH PIPING RUN.
- E. LOCATION, ROUTING, AND SUPPORT OF PIPING SHALL BE COORDINATED WITH INSTALLED EQUIPMENT, OVERHEAD AND BELOW FLOOR SUPPORT ELEMENTS, PIPE DROP ENCLOSURES, BUILDING STRUCTURAL ELEMENTS, DUCTWORK, ELECTRICAL CONDUITS, POWER PANELS, AND LIGHT FIXTURES.
- F. PROVIDE ADAPTERS/REDUCERS WHERE NECESSARY FOR CONNECTION TO PIPING SERVICES OR WASTE LINES.
- G. FITTING/FIXTURE INLET SIZE MAY VARY. PROVIDE APPROPRIATE CONNECTORS.
- H. TEST ALL VALVES AND SERVICE FITTINGS TO ENSURE PROPER OPERATION.
- I. SEE DETAILS ON P8 X SHEETS.
- J. CONTRACT DOCUMENTS CONSIST OF BOTH PROJECT MANUAL AND DRAWINGS AND BOTH ARE MEANT TO BE COMPLEMENTARY - ANYTHING APPEARING ON EITHER MUST BE EXECUTED THE SAME AS IF SHOWN ON BOTH.
- K. SEE SANITARY WASTE AND VENT ISOMETRIC ON SHEET P7.1.

SHEET KEYNOTES

- 1 NEW CONNECTION TO EXISTING 3" WASTE BELOW FLOOR.
- 2 REMOVE AND REPLACE EXISTING PLUMBING FIXTURES AND RECONNECT TO WATER, WASTE AND VENT PIPING.
- 3 RECONNECT FIXTURE TO WASTE PIPING BELOW FLOOR.
- 4 NEW CONNECTION TO EXISTING 4" WASTE BELOW FLOOR.
- 5 RECONNECT 2" WASTE FROM SINK TO NEW 4" WASTE IN CORRIDOR.
- 6 REMOVE EXISTING UNDERFLOOR WASTE PIPING DOWN CORRIDOR AND INSTALL NEW PIPING AS INDICATED.
- 7 CONNECT VENT PIPING FROM FIXTURES TO EXISTING VENT THROUGH ROOF.
- 8 NEW 2" CONNECTION TO EXISTING 4" WASTE BELOW FLOOR.
- 9 NEW 4" CONNECTION TO EXISTING 4" WASTE BELOW FLOOR.
- 10 2" VENT DOWN IN WALL TO FIXTURES.
- 11 1 1/2" VENT DOWN IN WALL TO FIXTURES.

FIELD VERIFY

EXISTING PLUMBING EQUIPMENT WAS OBTAINED FROM SIMILAR BUILDING DRAWINGS AND CURSORY FIELD OBSERVATION. HOWEVER, ACTUAL "AS-BUILT" DRAWINGS WERE NOT AVAILABLE. CERTAIN INFORMATION CONCERNING THE LOCATION OF THE EXISTING PLUMBING WORK MUST BE VERIFIED IN THE FIELD TO DETERMINE THE EXACT LOCATIONS, DEPTH, SIZE, ETC. PRIOR TO STARTING CONSTRUCTION. ANY CONFLICT BETWEEN THESE PLANS AND THE ACTUAL CONDITIONS SHALL BE REPORTED IMMEDIATELY TO THE DESIGN TEAM FOR VERIFICATION AND/OR CORRECTION.



1 FIRST FLOOR PLAN - PLUMBING WASTE
1" = 20'-0"



ERNIE PYLE EARLY CHILDHOOD
 72 E 1100 S
 CLINTON, IN 46782

DRAWING
FIRST FLOOR PLAN - PLUMBING WASTE

ISSUE	
90% CONSTRUCTION SET - 05/05/2026	
PERMIT SET - 05/11/2026	

REVISIONS		
NO.	DESCRIPTION	DATE
1	Addendum #1	6/1/2026

PROJECT NUMBER	23073
DATE	8/10/23

P2.1



1 FIRST FLOOR PLAN - PLUMBING PIPING
1" = 20'-0"

GENERAL SHEET NOTES

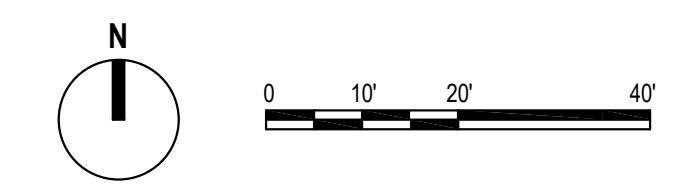
- A. REFERENCE SHEET P0.1 FOR PLUMBING SYMBOLS, LEGENDS, ABBREVIATIONS AND ADDITIONAL GENERAL NOTES.
- B. SEE P8.X SHEETS FOR PLUMBING SCHEDULES.
- C. ALL PIPING SHOWN ON DRAWINGS IS DIAGRAMATIC. ADDITIONAL OFFSETS, WHICH MAY BE REQUIRED, SHALL BE PROVIDED BY THIS CONTRACTOR.
- D. PIPE LINES ARE SHOWN WITH WIDE SEPARATION FOR CLEAR IDENTIFICATION PURPOSES ONLY. MAINTAIN A TIGHT AND ORDERLY GROUPING OF PIPES FOR EACH PIPING RUN.
- E. LOCATION, ROUTING, AND SUPPORT OF PIPING SHALL BE COORDINATED WITH INSTALLED EQUIPMENT, OVERHEAD AND BELOW FLOOR SUPPORT ELEMENTS, PIPE DROP ENCLOSURES, BUILDING STRUCTURAL ELEMENTS, DUCTWORK, ELECTRICAL CONDUITS, POWER PANELS, AND LIGHT FIXTURES.
- F. PROVIDE ADAPTERS/REDUCERS WHERE NECESSARY FOR CONNECTION TO PIPING SERVICES OR WASTE LINES.
- G. FITTING/FIXTURE INLET SIZE MAY VARY. PROVIDE APPROPRIATE CONNECTORS.
- H. TEST ALL VALVES AND SERVICE FITTINGS TO ENSURE PROPER OPERATION.
- I. SEE DETAILS ON P9.X SHEETS.
- J. CONTRACT DOCUMENTS CONSIST OF BOTH PROJECT MANUAL AND DRAWINGS AND BOTH ARE MEANT TO BE COMPLEMENTARY - ANYTHING APPEARING ON EITHER MUST BE EXCUTED THE SAME AS IF SHOWN ON BOTH.
- K. SEE SANITARY WASTE AND VENT ISOMETRIC ON SHEET P7.1.

SHEET KEYNOTES

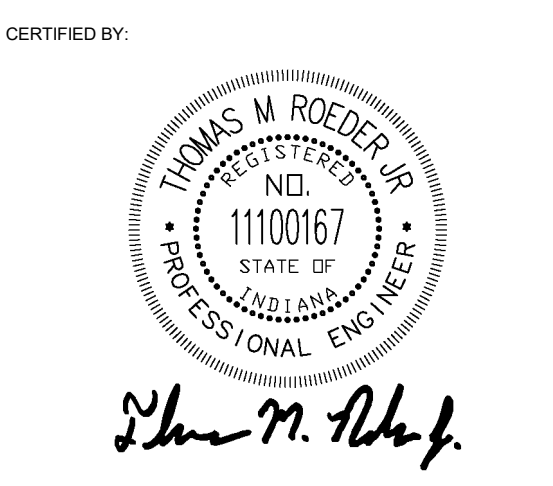
- 1 LP GAS REGULATOR. COORDINATE EXACT SIZE BASED UPON LISTED GAS LOAD.
- 2 EXISTING 3" LP GAS MAIN FROM EXTERIOR STORAGE TANK.
- 3 EXISTING LP GAS WATER HEATERS. CONFIRM OPERATION.
- 4 EXISTING 3" DOUBLE BACKFLOW PREVENTER FOR DOMESTIC WATER SERVICE.
- 5 1/2" HW AND 1" CW DOWN IN WALL TO FIXTURES.
- 6 3/4" CW DOWN IN WALL TO WALL HYDRANT.
- 7 3/4" HW CONNECTION TO EXISTING 3/4" HW. 1 1/4" CW CONNECTION TO EXISTING 1 1/2" CW.
- 8 RECONNECT NEW FIXTURES TO EXISTING PIPING WITHIN CHASE.
- 9 CONNECT 1/2" CW TO EXISTING 1 1/4" CW AT THIS LOCATION.
- 10 1/2" HW/CW DOWN IN WALL TO SINK.
- 11 COLD WATER CONNECTION TO EXISTING 1 1/4" COLD WATER PIPING.
- 12 1 1/4" CW AND 3/4" HW DOWN IN CHASE TO FIXTURES.
- 13 DISCONNECT AND REMOVE EXISTING PLUMBING FIXTURES. RECONNECT PIPING TO NEW PLUMBING FIXTURES.
- 14 CONNECT 1 1/4" HW TO NEAREST 1 1/4" OR LARGER HW PIPE.

FIELD VERIFY

EXISTING PLUMBING EQUIPMENT WAS OBTAINED FROM SIMILAR BUILDING DRAWINGS AND CURSORY FIELD OBSERVATION, HOWEVER, ACTUAL "AS-BUILT" DRAWINGS WERE NOT AVAILABLE. CERTAIN INFORMATION CONCERNING THE LOCATION OF THE EXISTING PLUMBING WORK MUST BE VERIFIED IN THE FIELD TO DETERMINE THE EXACT LOCATIONS, DEPTH, SIZE, ETC. PRIOR TO STARTING CONSTRUCTION. ANY CONFLICT BETWEEN THESE PLANS AND THE ACTUAL CONDITIONS SHALL BE REPORTED IMMEDIATELY TO THE DESIGN TEAM FOR VERIFICATION AND/OR CORRECTION.



11009 Fall Creek Road, Indianapolis, IN 46256
317-430-4128 - www.neo-engineers.com



ERNIE PYLE EARLY CHILDHOOD
 72 E 1100 S
 CLINTON, IN 46782

DRAWING
FIRST FLOOR PLAN - PLUMBING PIPING

ISSUE
90% CONSTRUCTION SET - 05/05/2026
PERMIT SET - 05/11/2026

REVISIONS		
NO.	DESCRIPTION	DATE
1	Addendum #1	6/1/2026

PROJECT NUMBER 23073
DATE 8/10/23

P3.1